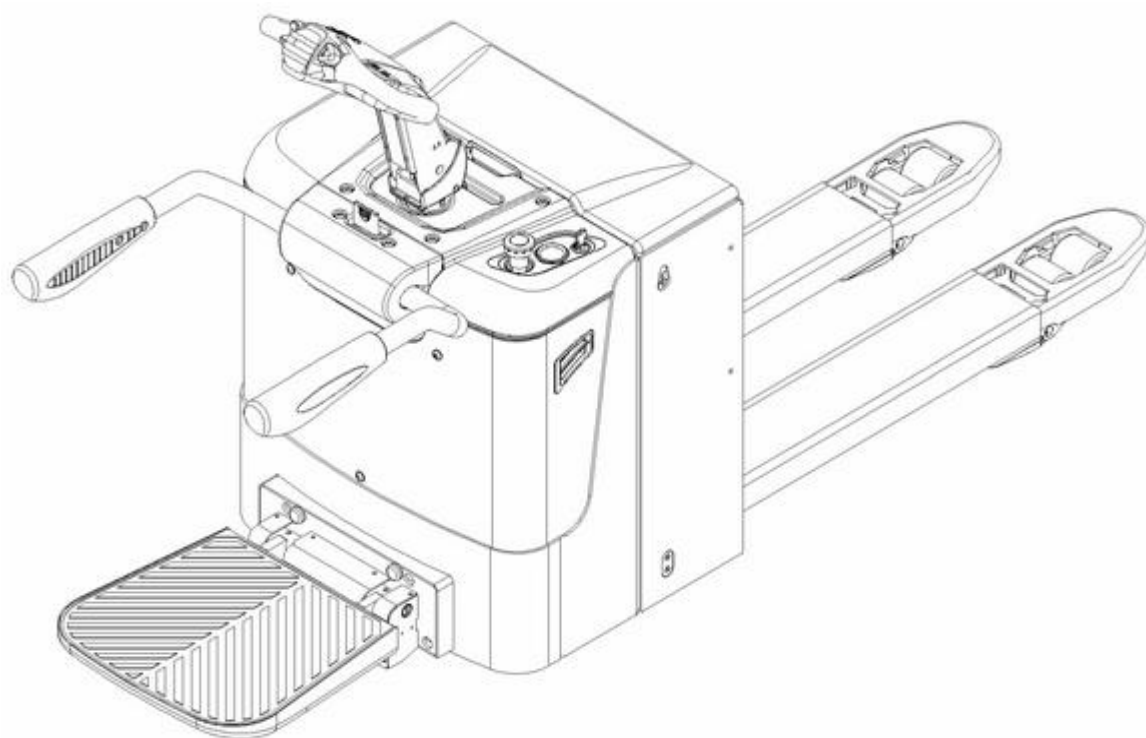


# SPAREPARTS LIST

## Electric Pallet Truck PT 20



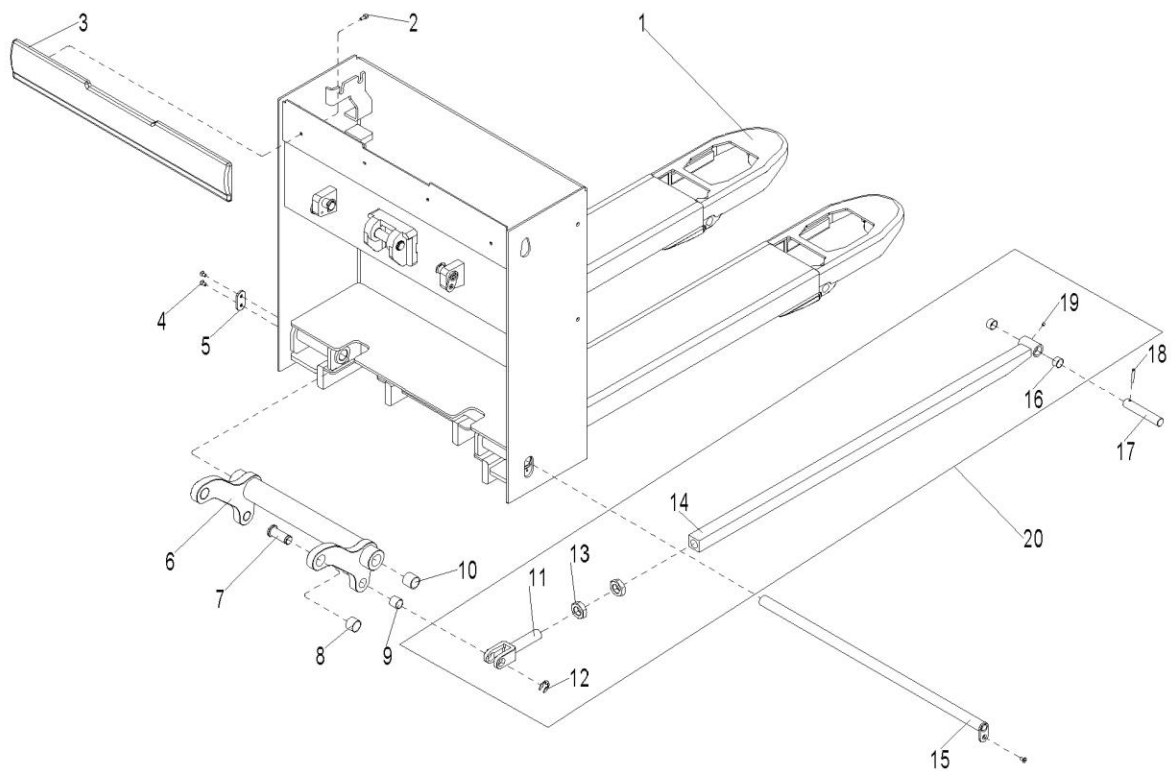
Version 10/2019

PT 20-BPT-010-EN

# Catalogue

Fig. 1A Fork frame (EU) .....	2
Fig. 1B Fork frame (EU) (sideways) .....	4
Fig. 2 Fork frame (US) .....	6
Fig. 3 Load roller (EU) .....	8
Fig. 4 Load roller (US) .....	10
Fig. 5 Drive system (Manual steering) .....	12
Fig. 6 Driving wheel 7EL-AC-1.3.....	14
Fig. 7 Drive system (Electric steering).....	18
Fig. 8 26ELB-AC-1.3KW-RDriving wheel assembly.....	20
Fig. 9 Steering wheel components .....	24
Fig. 10 Hydraulic system.....	26
Fig. 11 Pump .....	28
Fig. 12 Cylinder components .....	30
Fig. 13 Tiller assembly .....	31
Fig. 14 Tiller components.....	33
Fig. 15 Battery components .....	35
Fig. 16 Electrical components.....	36
Fig. 17 Indicator components.....	38
Fig. 18 Outer appearance.....	40
Fig. 19 Load backrest assembly (EU) .....	42
Fig. 20 Load backrest assembly (US) .....	43
Fig. 21 Battery cover component (EU) .....	44
Fig. 22 Battery cover components (US) .....	45
Fig. 23 Electrical parts .....	46
Fig. 24 Electrical control components (manual steering) .....	47
Fig. 25 Electrical control components (electric steering).....	49
Fig. 26 Platform assembly .....	52
Fig. 27 Protective arm assembly .....	54
Fig. 28 Main wiring harness (manual steering).....	56
Fig. 29 Main wiring harness (electric steering) .....	57
Fig. 30 Electric steering components .....	58
Fig. 31 Sticker (EU) .....	60
Fig. 32 Sticker (US) .....	61
Easy worn parts list.....	62

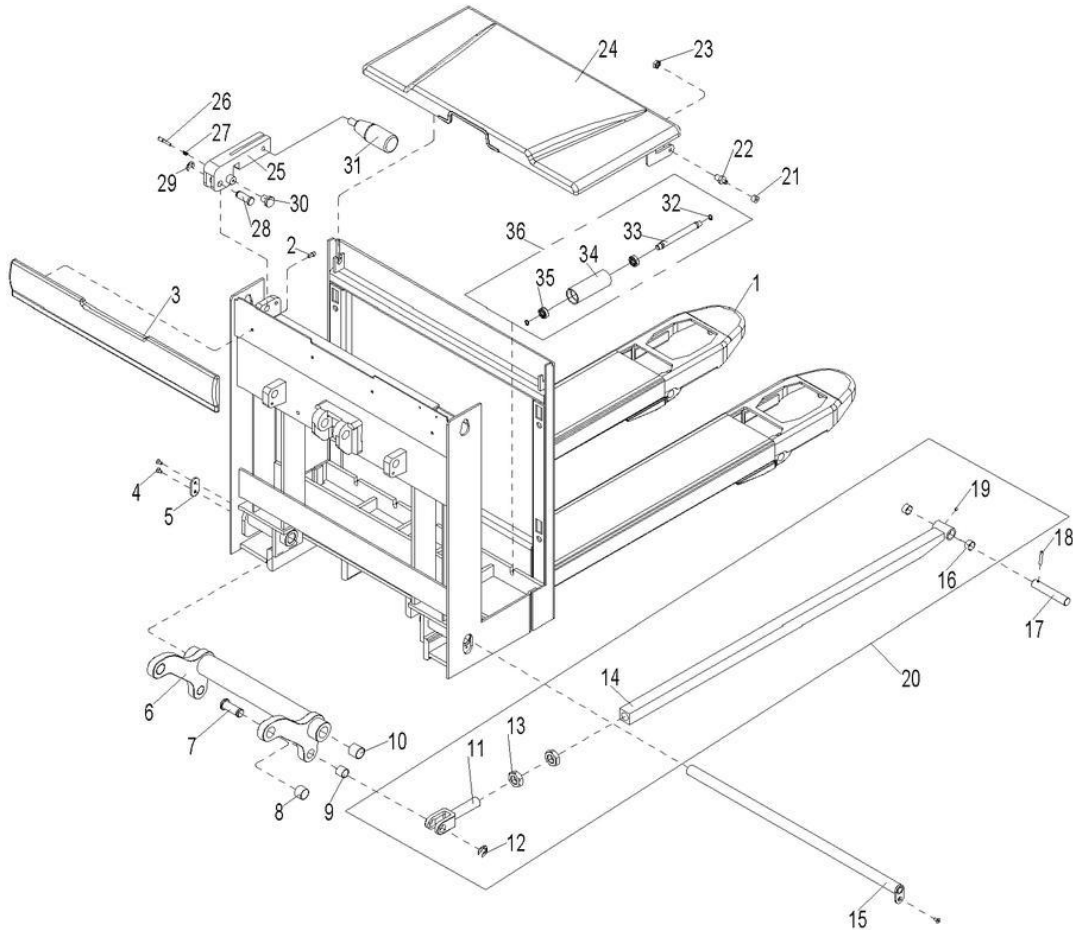
Fig. 1A Fork frame (EU)



**Fig. 1A Fork Frame (EU)**

No.	Old Art No.	New Art No.	Description	Qty.	Note
1	9000008043	505638510000	Chassis welding (EU 540x1150)	1	
	9000014207	505638510008	Chassis welding (EU 685x1150)	1	
2	0000023053	910200300017	Screw GB70.2-M6x12-8.8	4	
3	9000008049	505638520028	Protective cover	1	
4	0000023091	910200400016	Screw GB70.3-M6x12-8.8	5	
5	1000504001	505638520031	Fixing plate	1	
6	9000008044	505638510001	Rock arm welding (540)	1	
	9000008906	505638510007	Rock arm welding (685)	1	
7	9000008052	505638520034	Axle $\Phi$ 20x51	1	
8	0000013024	940500100027	Bushing $\Phi$ 25x $\Phi$ 28x20-SF-1	2	
9	0000013001	940500100019	Bushing $\Phi$ 20x $\Phi$ 23x20-SF-1	2	
10	0000027006	940500100032	Bushing $\Phi$ 25x $\Phi$ 29x25-SF-1	2	
11	9000008053	505638520035	Push rod fork	2	
12	0000026001	910401700005	Circlip GB896-15	2	
13	0000024178	910300400010	Nut GB6173-M24x1.5-05	4	
14	9000008045	505638510002	Push rod welding (EU 1150)	2	
	9000014211	505638510009	Push rod welding (EU 1220)	2	
15	9000014211	505638510003	Axle with plate $\Phi$ 25x719	1	
16	9000008048	940500100012	Bushing $\Phi$ 20x $\Phi$ 22x12-SF-1	4	
17	0000027005	505638520037	Push rod axle $\Phi$ 20x110	2	
18	9000008055	910600400027	Elastic cylindrical pin 5x35	2	
19	0000028009	911200100001	Grease nipple JB7940.4-6	2	
20	0000030001	505698510006	Push rod components	2	
	9000010419	505698510011	Push rod components	2	

**Fig. 1B Fork frame (EU) (sideways)**

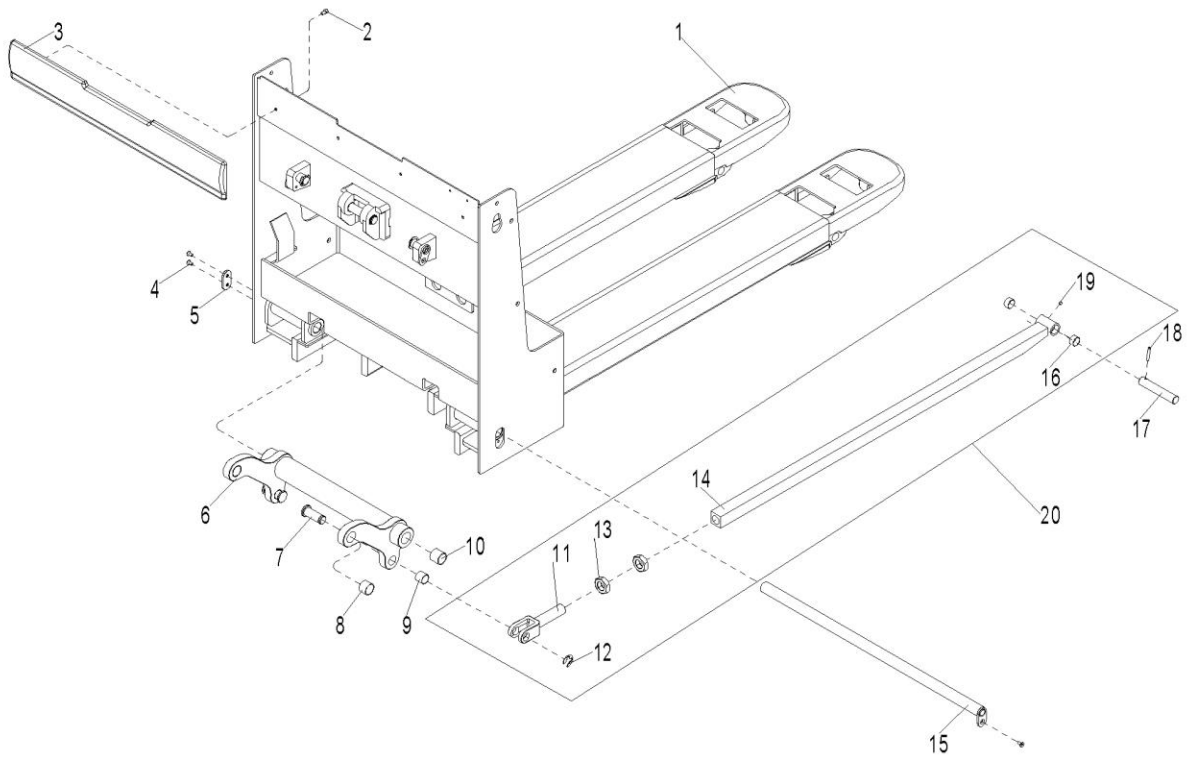


**Fig. 1B Fork Frame (EU) (sideways)**

No.	Old Art No.	New Art No.	Description	Qty.	Note
1	9000011581	505638510025	Chassis welding (EU sideways 540×1150)	1	
	9000011582	505638510029	Chassis welding (EU sideways 685x1220)	1	
2	0000023053	910200300017	Screw GB70.2-M6x12-8.8	4	
3	9000008049	505638520028	Plate	1	
4	0000023091	910200400016	Screw GB70.3-M6x12-8.8	5	
5	1000504001	505638520031	Fixing plate	1	
6	9000008044	505638510001	Rock arm welding (540)	1	
	9000008906	505638510007	Rock arm welding (685)	1	
7	9000008052	505638520121	Axle Φ20x53	1	

8	0000013024	940500100027	Bushing $\Phi$ 25x $\Phi$ 28x20-SF-1	2	
9	0000013001	940500100019	Bushing $\Phi$ 20x $\Phi$ 23x20-SF-1	2	
10	0000027006	940500100032	Bushing $\Phi$ 25x $\Phi$ 29x25-SF-1	2	
11	9000008053	505638520035	Push rod fork	2	
12	0000026001	910401700005	Circlip GB896-15	2	
13	0000024178	910300400010	Nut GB6173-M24x1.5-05	4	
14	9000011583	505638510027	Push rod welding (EU sideways 1150)	2	
	9000011584	505638510030	Push rod welding (EU sideways 1220)	2	
15	9000008048	505638510003	Axle with plate $\Phi$ 25x719	1	
16	0000027005	940500100012	Bushing $\Phi$ 20x $\Phi$ 22x12-SF-1	4	
17	9000008055	505638520037	Push rod axle $\Phi$ 20x110	2	
18	0000028009	910600400027	Elastic cylindrical pin 5x35	2	
19	0000030001	911200100001	Grease nipple JB7940.4-6	2	
20	9000011585	505698510007	Push rod components	2	
	9000011586	505698510008	Push rod components	2	
21	9000008047	505621020004	Damping pad $\Phi$ 15x $\Phi$ 6x10	2	
22	9000008057	505621020005	Hinge axle $\Phi$ 8x19	2	
23	0000024012	910301700001	Nut GB6185.1-M10-8	2	
24	9000011587	505621010002	Battery cover welding (EU sideways)	1	
25	9000008267	505638510026	Locker welding	1	
26	9000008264	505638520122	Adjusting screw M5x25	1	
27	9000007788	940400500001	Spring $\Phi$ 6x $\Phi$ 0.7x17	1	
28	9000008268	505638520117	Axle $\Phi$ 15x40	1	
29	910401700004	910401700004	Circlip GB896-12	1	
30	9000008265	505638520123	Bolt	1	
31	0090000756	911000400001	Tiller JB7270.5-M8x63	1	
32	0000026004	910401300006	Circlip GB894.1-15	10	
33	9000011591	505638520119	Axel $\Phi$ 15x196	5	
34	9000011592	505638520120	Tube $\Phi$ 40x $\Phi$ 35x163	5	
35	0000027060	910700200017	Bearing GB276-6202-2RS	10	
36	9000011590	505638510028	Tube components	5	

**Fig. 2 Fork frame (US)**

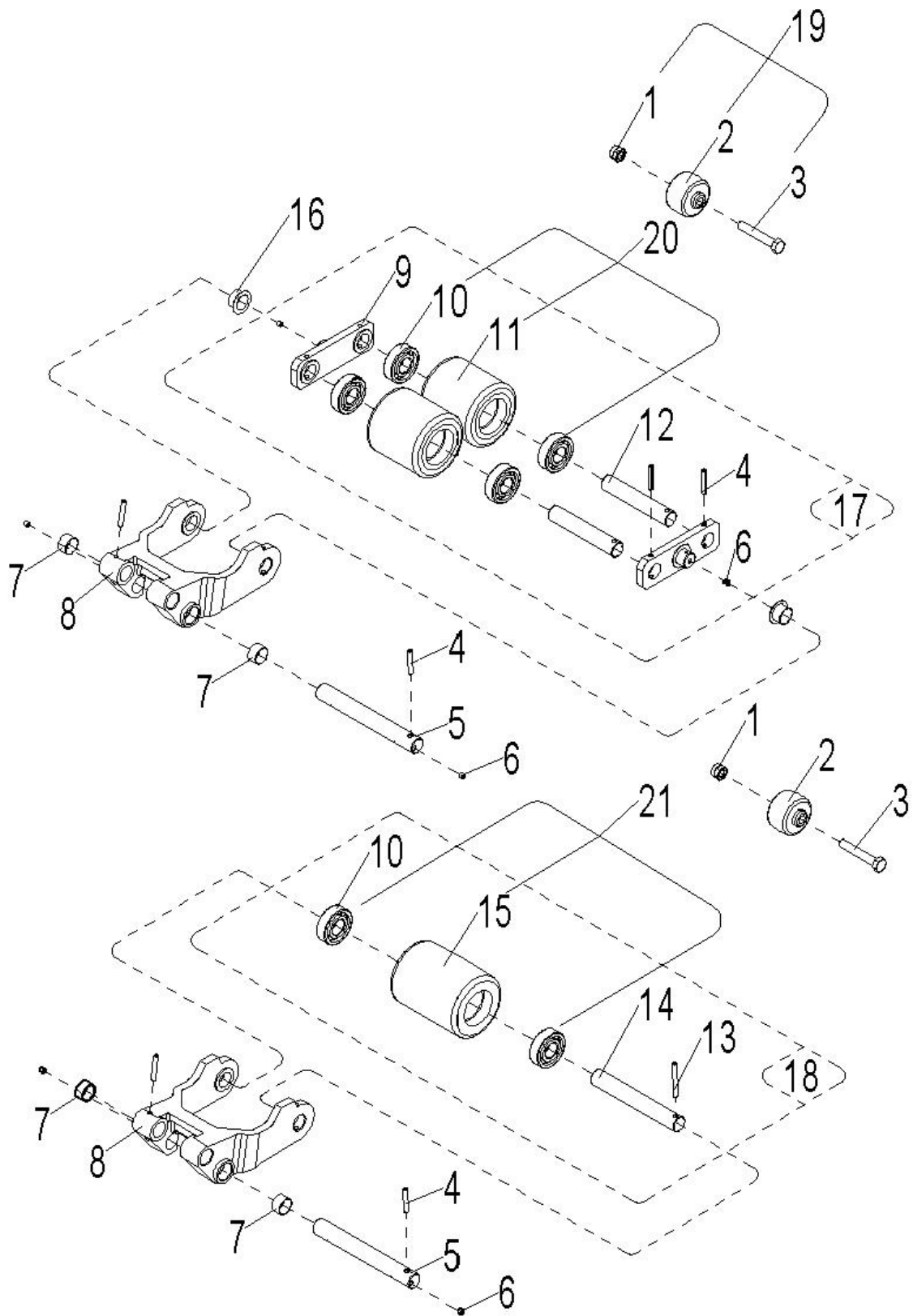


**Fig. 2 Fork Frame (US)**

No.	Old Art No.	New Art No.	Description	Qty.	Note
1	9000008908	505638510010	Chassis welding (US 540x1220)	1	
	9000008907	505638510012	Chassis welding (US 685x1220)	1	
2	0000023053	910200300017	Screw GB70.2-M6x12-8.8	4	
3	9000008049	505638520028	Protective cover	1	
4	0000023091	910200400016	Screw GB70.3-M6x12-8.8	5	
5	1000504001	505638520031	Fixing plate	1	
6	9000008044	505638510001	Rock arm welding (540)	1	
	9000008906	505638510007	Rock arm welding (685)	1	
7	9000008052	505638520034	Axle $\Phi 20 \times 51$	1	
8	0000013024	940500100027	Bushing $\Phi 25 \times \Phi 28 \times 20$ -SF-1	2	
9	0000013001	940500100019	Bushing $\Phi 20 \times \Phi 23 \times 20$ -SF-1	2	
10	0000027006	940500100032	Bushing $\Phi 25 \times \Phi 29 \times 25$ -SF-1	2	
11	9000008053	505638520035	Push rod fork	2	
12	0000026001	910401700005	Circlip GB896-15	2	
13	0000024178	910300400010	Nut GB6173-M24x1.5-05	4	
14	9000008909	505638510011	Push rod welding (US 1220)	2	
15	9000008048	505638510003	Axle with plate $\Phi 25 \times 719$	1	
16	0000027005	940500100012	Bushing $\Phi 20 \times \Phi 22 \times 12$ -SF-1	4	
17	9000008055	505638520037	Push rod axle $\Phi 20 \times 110$	2	
18	0000028009	910600400027	Elastic cylindrical pin 5x35	2	
19	0000030001	911200100001	Grease nipple JB7940.4-6	2	
20	9000010420	505698510007	Push rod components	2	



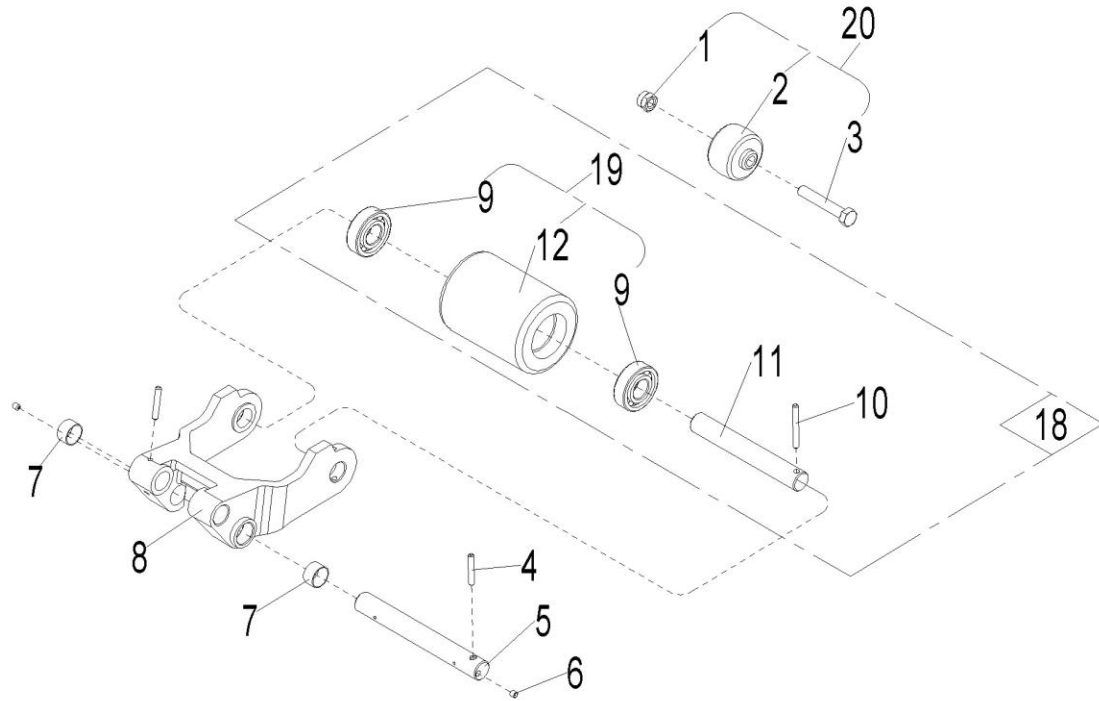
Fig. 3 Load roller (EU)



**Fig. 3 Load Roller (EU)**

No.	Old Art No.	New Art No.	Description	Qty.	Note
1	0000023005	910300500005	Nut GB889.1-M10-10	2	
2	1000516001	505638520039	Entry roller $\Phi 50 \times \Phi 10.5 \times 40$	2	
3	0000023004	910100100035	Bolt GB5782-M10x60-8.8	2	
4	0000028009	910600400027	Elastic cylindrical pin 5x35	8	
5	9000008056	505638520038	Frame of roller axle $\Phi 20 \times 163$	2	
6	0000030001	911200100001	Grease nipple JB7940.4-6	2	
7	0000027005	940500100012	Bushing $\Phi 20 \times \Phi 22 \times 12$ -SF-1	4	
8	9000008054	505638520036	Frame of roller	2	
9	9000008077	505617020001	Linking plate	4	
10	0000027001	910700200019	Bearing GB276-6204-2RS	8/4(double/single)	
11	9000008791	940300300010	Roller $\Phi 84 \times 84$ (Steel core PU)	4(double)	
12	9000008076	505617020000	Rotate axle $\Phi 20 \times 109$	4(double)	
13	0000028115	910600400030	Elastic cylindrical pin 5x50	4(single)	
14	9000008227	505617020002	Wheel axle $\Phi 20 \times 138$	2(single)	
15	9000007766	940300300006	Roller $\Phi 82 \times 110$ (Steel core PU)	2(single)	
16	9000002333	940500200003	Bushing (with shoulder) $\Phi 18 \times \Phi 20 \times 12$ -SF-1	2(double)	
17	9000008913	505617001000	Load roller assembly $\Phi 84 \times 84$ (PU tandem)	2(double)	
18	9000008914	505617001001	Load roller assembly $\Phi 82 \times 110$ (PU)	2(single)	
19	9000010400	502398510003	Entry roller components	2	
20	9000010421	505698510003	Wheel set components	4	
21	9000010422	505698510004	Wheel set components	2	

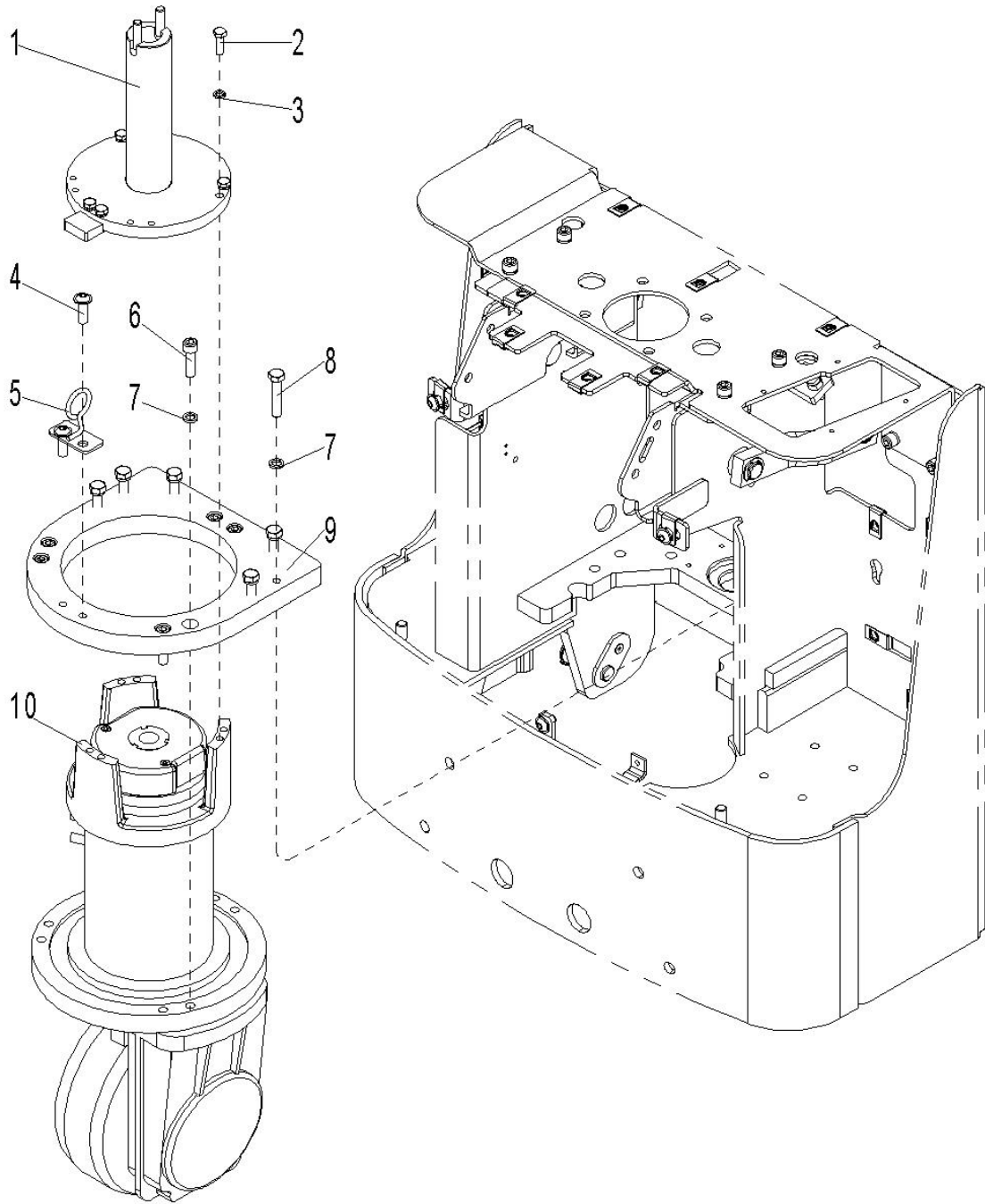
**Fig. 4 Load roller (US)**



**Fig. 4 Load Roller (US)**

No.	Old Art No.	New Art No.	Description	Qty.	Note
1	0000023005	910300500005	Nut GB889.1-M10-10	2	
2	1000516001	505638520039	Entry roller $\Phi 50 \times \Phi 10.5 \times 40$	2	
3	0000023004	910100100035	Bolt GB5782-M10x60-8.8	2	
4	0000028009	910600400027	Elastic cylindrical pin 5x35	4	
5	9000008056	505638520038	Frame of roller axle $\Phi 20 \times 163$	2	
6	0000030001	911200100001	Grease nipple JB7940.4-6	2	
7	0000027005	940500100012	Bushing $\Phi 20 \times \Phi 22 \times 12$ -SF-1	4	
8	9000008915	505638520065	Frame of roller	2	
9	0000027001	910700200019	Bearing GB276-6204-2RS	4	
10	0000028115	910600400030	Elastic cylindrical pin 5x50	4	
11	9000008227	505617020002	Wheel axle $\Phi 20 \times 138$	2	
12	9000007766	940300300006	Roller $\Phi 82 \times 110$ (Steel core PU)	2	
18	9000008914	505617001001	Load roller assembly	2	
19		505698510004	Wheel set components	2	
20	9000010400	502398510003	Entry roller components	2	

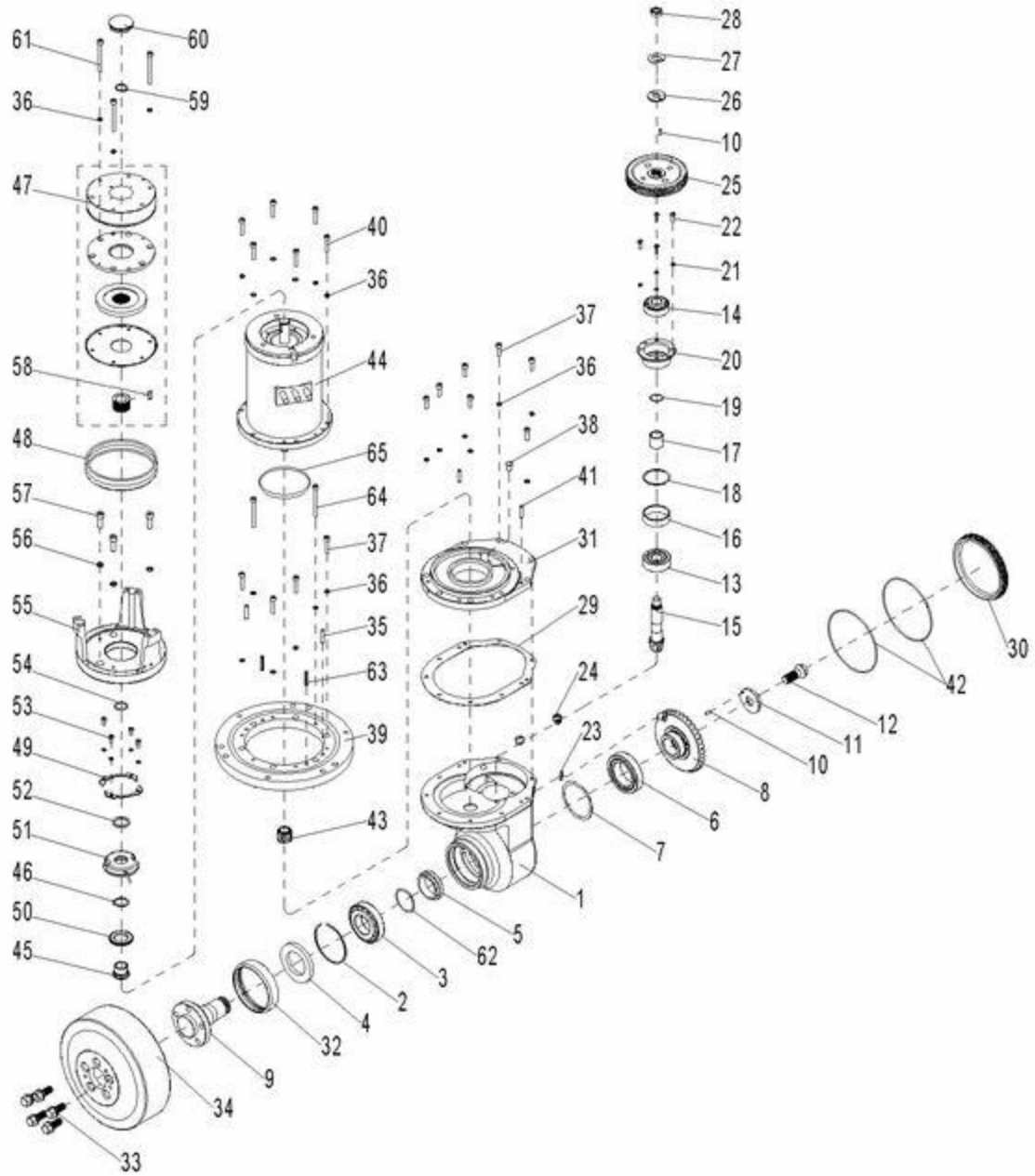
Fig. 5 Drive system (Manual steering )



**Fig. 5 Drive system (Manual steering )**

No.	Old Art No.	New Art No.	Description	Qty.	Note
1	9000008073	505631210000	Tiller axle welding	1	
2	0000023766	910100300023	Bolt GB5783-M8x25-8.8	6	
3	0000025001	910400500006	Spring washer GB93-8	6	
4	1000423003	941100100004	Screw M10x30-8.8	2	
5	1020202001	505613510000	Fixing frame	1	
6	0000023029	910200200078	Screw GB70.1-M10x35-8.8	6	
7	0000023006	910400500007	Spring washer GB93-10	12	
8	0000023225	910100300041	Bolt GB5783-M10x50-8.8	6	
9	9000008074	505613520002	Mounting plate (Driving wheel)	1	
10	9000007774	940900400001	Driving assembly 7EL-AC-1.3KW	1	

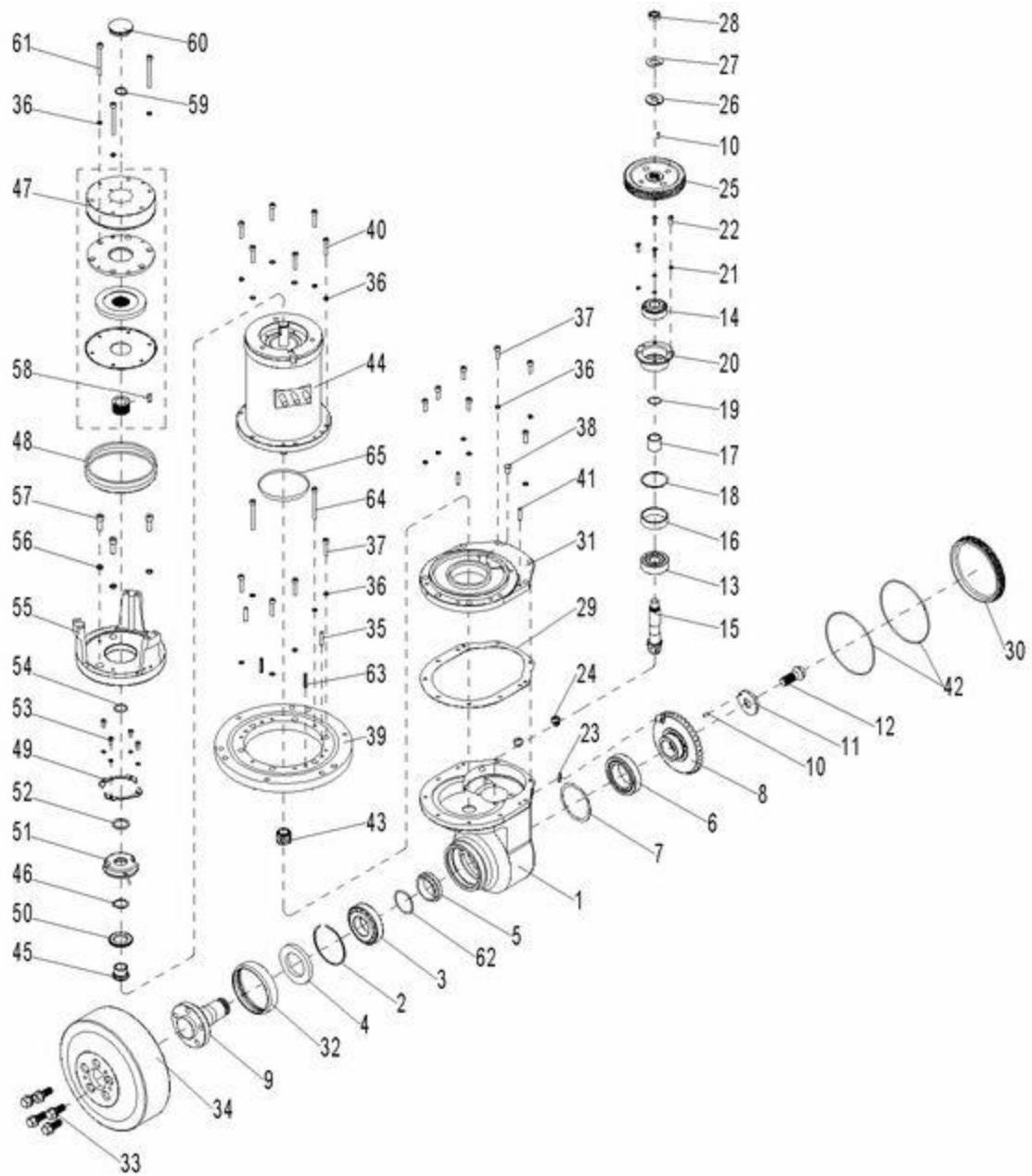
Fig. 6 Driving wheel 7EL-AC-1.3



**Fig. 6 Driving wheel 7EL-AC-1.3**

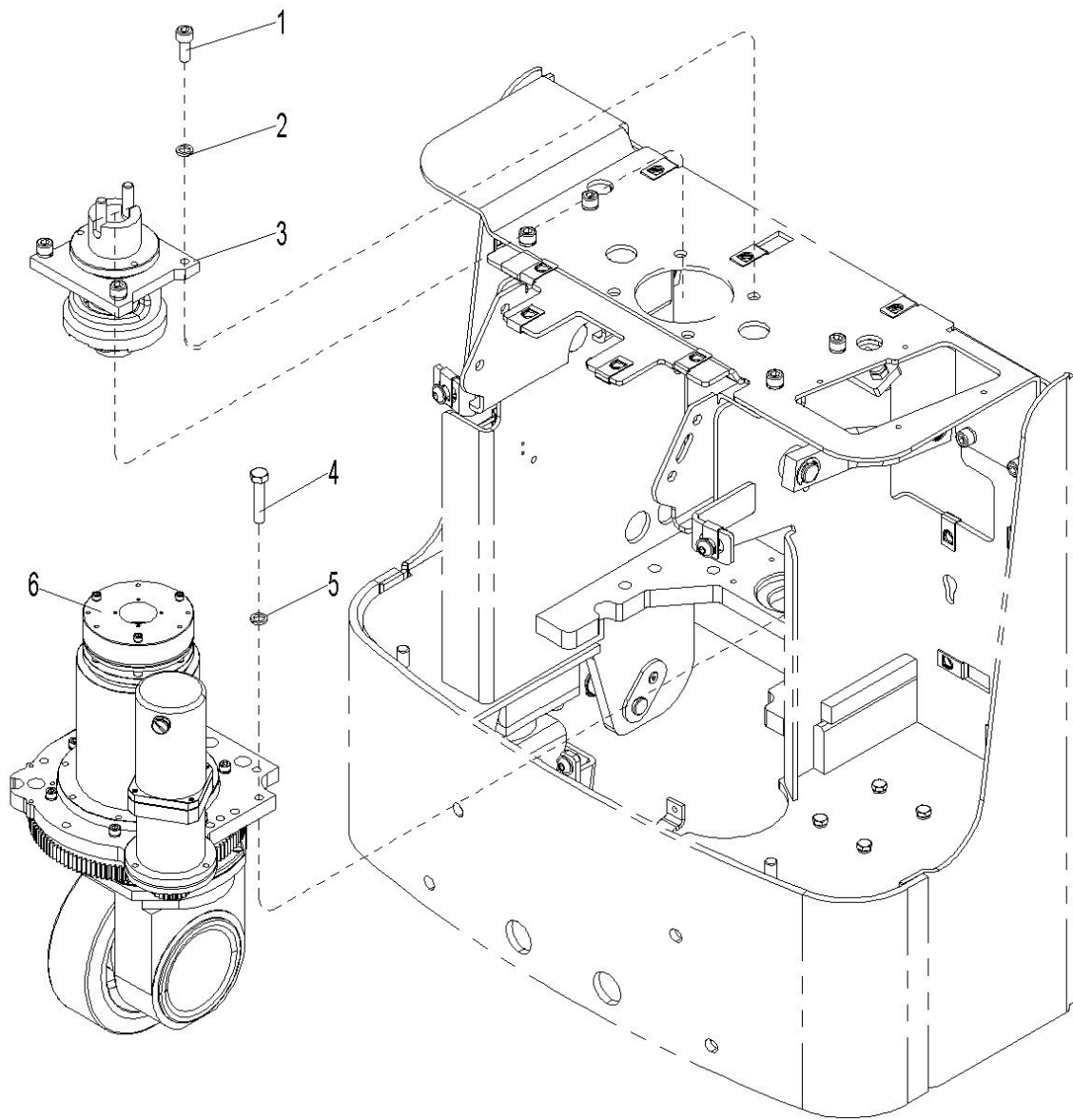
No.	Old Art No.	New Art No.	Description	Qty.	Note
1	9000009493	505698520056	Gearbox	1	
2	9000009494	940998520031	Circlip	1	
3	0090000116	910700600040	Bearing GB297-30208	1	
4	0090000505	505698520058	Sealing GB9877-50x80x8	1	
5	9000009496	940998520032	Spacer	1	
6	0000027031	910700600041	Bearing GB297-32010	1	
7	9000009497	940998520035	Adjusting washer	1	
8	9000009498	505698520061	Gear	1	
9	9000009499	505698520062	Driving axle	1	
10	0090000117	505698520063	Cylindrical pin GB119.1-4x12	2	
11	9000009500	505698520064	Circlip	1	
12	9000009501	505698520065	Bolt	1	
13	0090000502	910700600042	Bearing GB297-32304	1	
14	0090000503	910700600025	Bearing GB297-32204	1	
15	9000009502	505698520066	Gear	1	
16	9000009503	505698520067	Tube	1	
17	9000009504	505698520068	Tube	1	
18	9000009505	940998520021	Adjusting washer	1	
19	9000009506	505698520070	Adjusting washer	1	
20	9000009507	505698520071	Bearing seat	1	
21	0000025012	910400500017	Spring washer GB93-5	8	
22	0000023675	910200300041	Screw GB70.2-M5x16-12.9	4	
23	0000022036	910800900007	Combination washer JB982-12	3	
24	0090000506	201098520019	Screw plug M12×1.25	3	
25	9000009508	505698520072	Big gear	1	
26	9000009509	505698520073	Washer	1	
27	0000025066	910401000005	Washer GB856-14	1	
28	0090000090	910300400005	Nut GB6173-M14x1.5-05	1	
29	9000009510	505698520074	Paper pad	1	
30	9000009511	505698520075	Side cover	1	
31	9000009512	505698520076	Top cap	1	
32	9000009513	505698520077	Dust cover	1	





No.	Old Art No.	New Art No.	Description	Qty.	Note
33	9000009514	505698520078	Bolt	5	
34	9000009515	505698520079	Driving wheel	1	
35	0000028027	505698520080	Cylindrical pin GB119.1-6x30	2	
36	0000025006	910400500018	Spring washer GB93-6	22	
37	0000023020	910200200139	Screw GB70.1-M6x20-12.9	11	
38	9000009495	505698520081	Air plug	1	
39	9000009516	505698520082	Rotate support	1	
40	0000023106	910200200143	Screw GB70.1-M6x30-12.9	6	
41	0090000504	505698520083	Cylindrical pin GB119.1-6x26	2	
42	0000022037	505698520084	O ring 125x2.65	2	
43	9000009517	505698520085	Pinion	1	
44	9000009518	505698520086	Driving motor	1	
45	9000009519	505698520087	Sleeve	1	
46	0000026013	910401300014	Circlip GB894.1-25	1	
47	9000009520	505698520088	Electromagnetic brake	1	
48	9000009521	505698520089	Dust bushing	1	
49	9000009522	201098520026	Flange	2	
50	9000009523	201098520025	Speed sensor gear	1	
51	9000009524	505698520092	Speed sensor	1	
52	9000009525	505698520093	Spacer	1	
53	0000023311	910200200137	Screw GB70.1-M5x10-12.9	4	
54	0000022059	505698520094	O ring 20x2.65	1	
55	9000009526	505698520095	Holder	1	
56	0000025001	910400500019	Spring washer GB93-8	3	
57	0000023047	910200200147	Screw GB70.1-M8x25-12.9	3	
58	0000036003	910600800012	Flat key GB1096-6x18-A	1	
59	0000026003	910401300011	Circlip GB894.1-20	1	
60	9000009527	505698520096	Dust cover	1	
61	0000023563	910200200047	Screw GB70.1-M6x65-8.8	3	
62	9000009528	505698520097	Adjusting washer	1	
63	0000028137	505698520098	Cylindrical pin GB879.1-6x30	2	
64	0090000321	910200200042	Screw GB70.1-M6x45-8.8	2	
65	0000022038	505698520099	O ring 65x2.65	1	

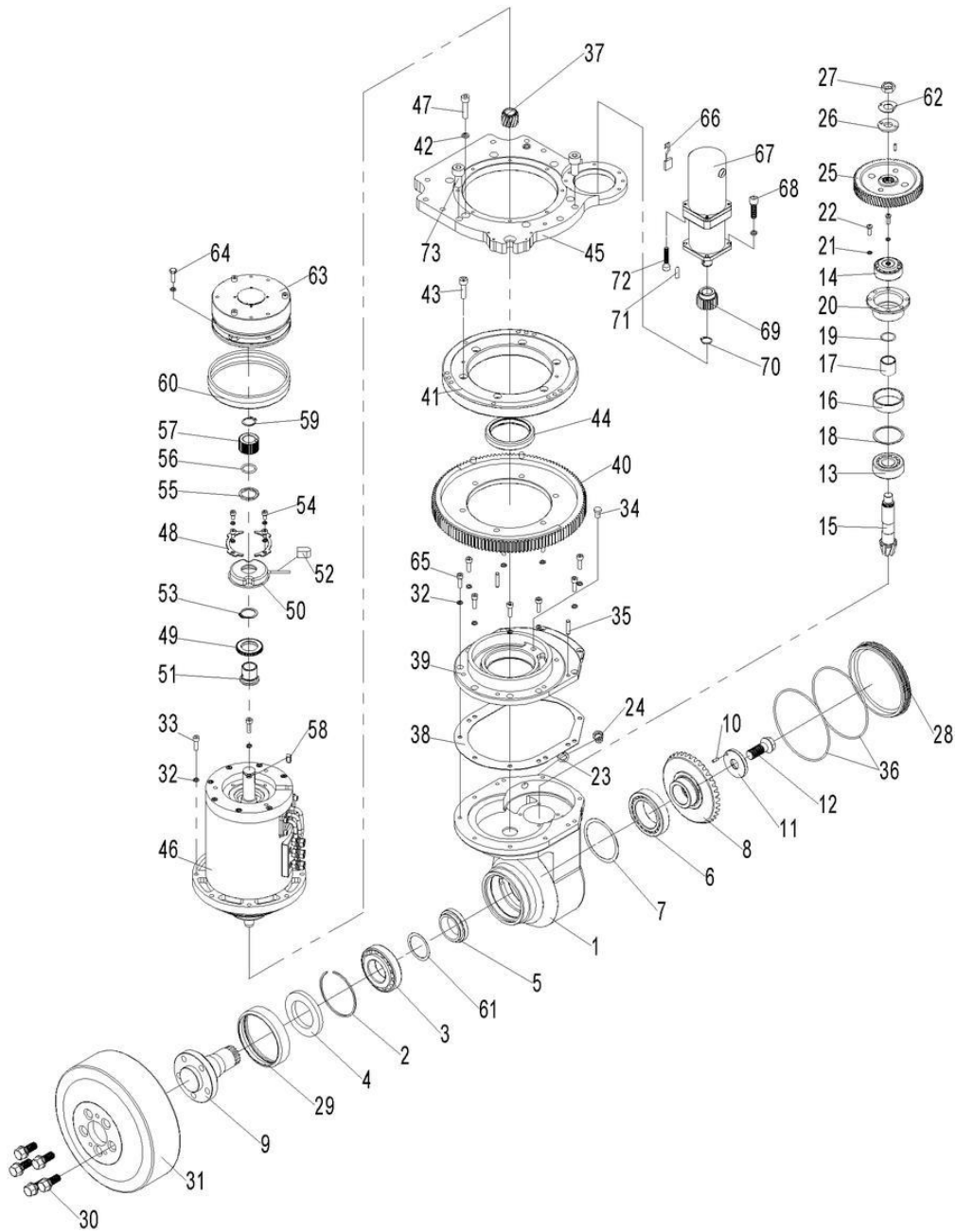
**Fig. 7 Drive system (Electric steering)**



**Fig. 7 Drive System (Electrical steering)**

No.	Old Art No.	New Art No.	Description	Qty.	Note
1	0000023034	910200200075	Screw GB70.1-M10x20-8.8	4	
2	0000025002	910400100007	Washer GB97.1-10-200HV	4	
3	9000007686	505631510000	Electric steering components	1	
4	0000023225	910100300041	Bolt GB5783-M10x50-8.8	6	
5	0000023006	910400500007	Spring washer GB93-10	6	
6	9000007779	940900500002	Driving steering assembly 26EL-AC-1.3KW-R	1	

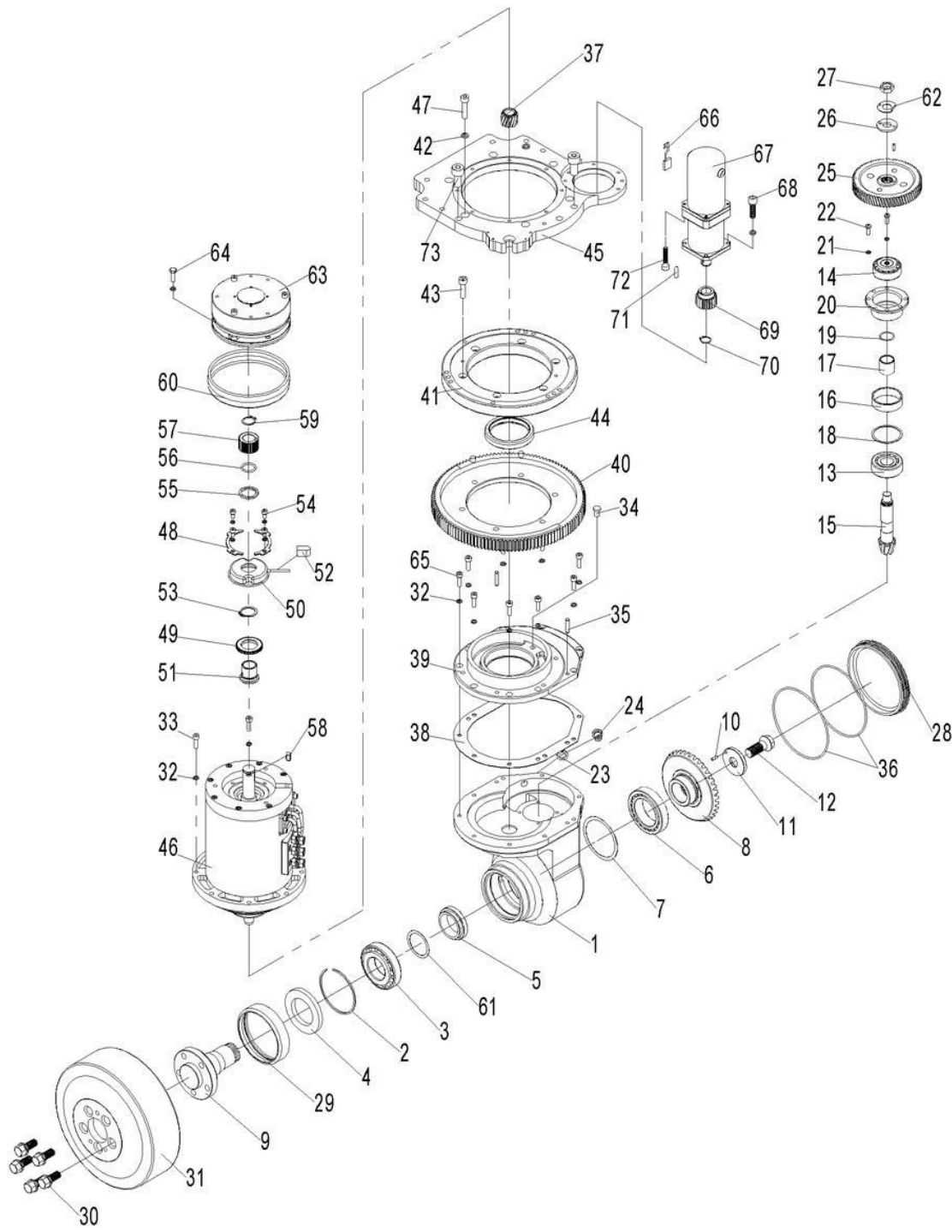
**Fig. 8 26ELB-AC-1.3KW-RDriving wheel assembly**



**Fig. 8 26ELB-AC-1.3KW-RDriving wheel assembly**

No.	Old Art No.	New Art No.	Description	Qty.	Note
1	9000009493	505698520056	Gearbox	1	
2	9000009494	940998520031	Circlip	1	
3	0090000116	910700600040	Bearing GB297-30208	1	
4	0090000505	505698520058	Sealing GB9877-50x80x8	1	
5	9000009496	940998520032	Spacer	1	

6	0000027031	910700600041	Bearing GB297-32010	1	
7	9000009497	940998520035	Adjusting washer	1	
8	9000009498	505698520061	Gear	1	
9	9000009499	505698520062	Driving axle	1	
10	0090000117	505698520063	Cylindrical pin GB119.1-4x12	2	
11	9000009500	505698520064	Circlip	1	
12	9000009501	505698520065	Bolt	1	
13	0090000502	910700600042	Bearing GB297-32304	1	
14	0090000503	910700600025	Bearing GB297-32204	1	
15	9000009502	505698520066	Gear	1	
16	9000009503	505698520067	Tube	1	
17	9000009504	505698520068	Tube	1	
18	9000009505	940998520021	Adjusting washer	1	
19	9000009506	505698520070	Adjusting washer	1	
20	9000009507	505698520071	Bearing seat	1	
21	0000025015	910400500017	Spring washer GB93-5	8	
22	0000023107	910200300041	Screw GB70.2-M5x16-12.9	4	
23	0000022036	910800900007	Combination washer JB982-12	3	
24	0090000506	201098520019	Screw plug M12×1.25	3	
25	9000009508	505698520072	Big gear	1	
26	9000009509	505698520073	Washer	1	
27	0090000090	910300400005	Nut GB6173-M14x1.5-05	1	
28	9000009511	505698520075	Side cover	1	
29	9000009513	505698520077	Dust cover	1	
30	9000009514	505698520078	Bolt	5	
31	9000009515	505698520079	Driving wheel	1	
32	0000025010	910400500018	Spring washer GB93-6	20	
33	0000023106	910200200143	Screw GB70.1-M6x30-12.9	8	
34	9000009495	505698520081	Air plug	1	
35	0090000504	505698520083	Cylindrical pin GB119.1-6x26	2	
36	0000022037	505698520084	O ring 125×2.65	2	
37	9000009517	505698520085	Pinion	1	
38	9000009824	505698520100	Paper pad	1	
39	9000009825	505698520101	Upper cover	1	

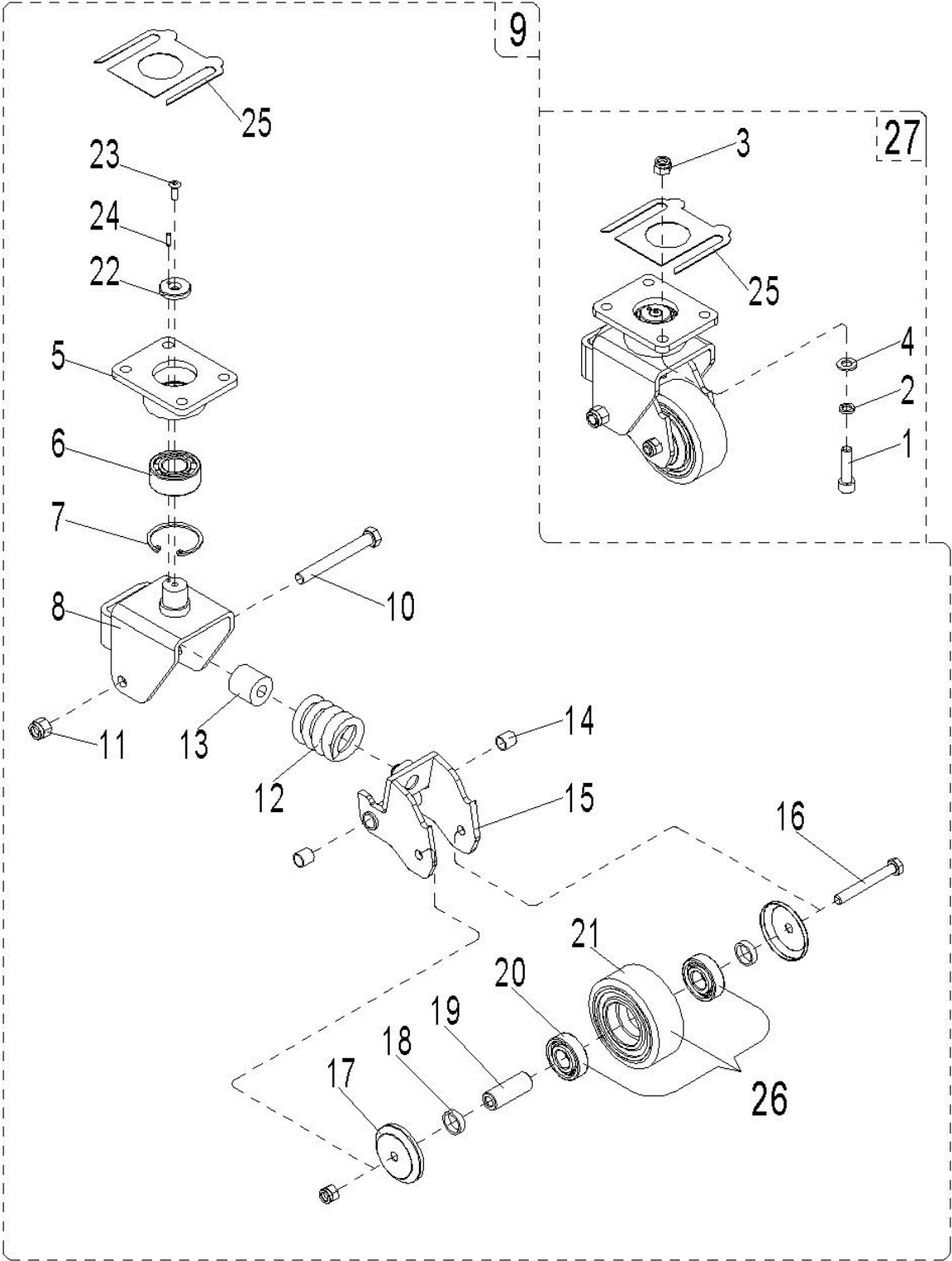


No.	Old Art No.	New Art No.	Description	Qty.	Note
40	9000017958	505698520102	Big gear	1	
41	9000009745	505698520103	Rotate support	1	

42	0000025001	910400500019	Spring washer GB93-8	6	
43	0000023455	910200200144	Screw GB70.1-M8x35-12.9	6	
44	0090000151	505698520104	Sealing GB9877-65x82x12	1	
45	9000017959	505698520105	Mounting plate	1	
46	9000009827	940998510009	AC motor	1	
47	0000023172	910200200138	Screw GB70.1-M8x30-12.9	6	
48	9000009522	201098520026	Flange	2	
49	9000009523	201098520025	Speed sensor gear	1	
50	9000009524	505698520092	Speed sensor	1	
51	9000009748	505698520106	Sleeve	1	
52	9000008854	505698520107	Sleeve	1	
53	0000026013	910401300014	Circlip GB894.1-25	1	
54	0000023311	910200200137	Screw GB70.1-M5x10-12.9	4	
55	9000009525	505698520093	Spacer	1	
56	0000022059	505698520094	O ring 20×2.65	1	
57	9000009749	201098520027	Bushing	1	
58	0000036001	910600800011	Flat key GB1096-6x16-A	1	
59	0000026003	910401300011	Circlip GB894.1-20	1	
60	9000009521	505698520089	Dust bushing	1	
61	9000009528	505698520097	Adjusting washer	1	
62	0000025066	910401000005	Washer GB856-14	1	
63	9000009750	505698520088	Electromagnetic brake	1	
64		910100100134	Bolt GB5782-M6x20-10.9	3	
65		910200200139	Screw GB70.1-M6x20-12.9	9	
66	9000006304	505698520108	Carbon brush	1	
67	9000012078	505698520109	Motor (steering)	1	
68		910200200166	Screw GB70.1-M6x22-12.9	8	
69	9000009828	505698520110	Pinion	1	
70	0000026040	910401300012	Circlip GB894.1-22	1	
71	0090000118	910600800015	Flat key GB1096-6x28-A	1	
72	0000023106	910200200143	Screw GB70.1-M6x30-12.9	12	
73	9000017960	505698520111	Screw	2	



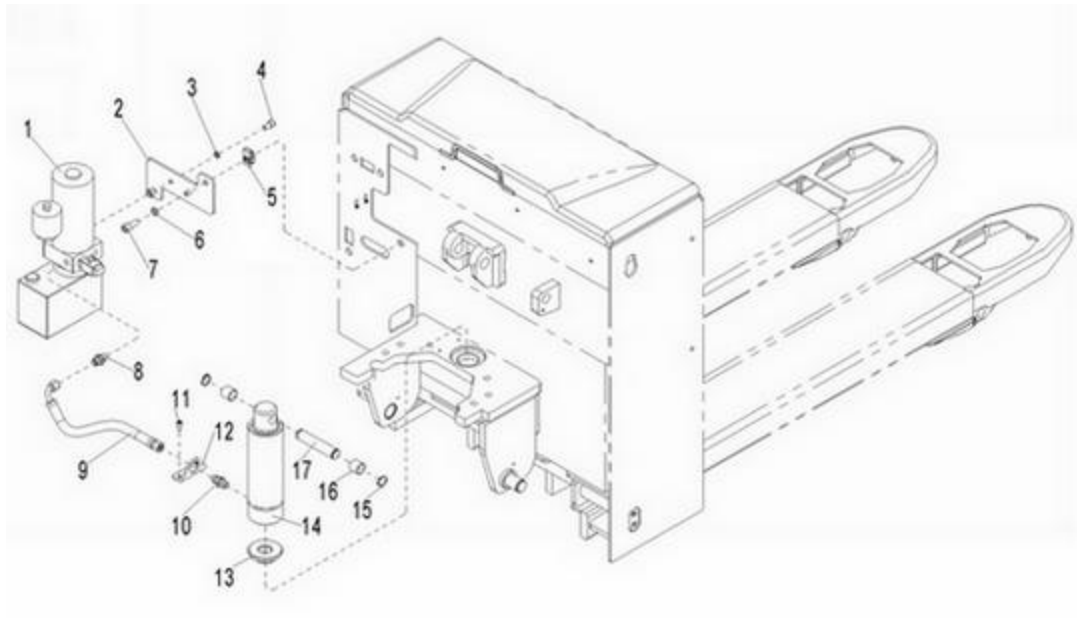
Fig. 9 Steering wheel components



**Fig. 9 Steering wheel components**

No.	Old Art No.	New Art No.	Description	Qty.	Note
1	0000023025	910200200079	Screw GB70.1-M10x40-8.8	8	
2	0000023006	910400500007	Spring washer GB93-10	8	
3	0000023005	910300500005	Nut GB889.1-M10-10	10	
4	0000025002	910400100007	Washer GB97.1-10-200HV	8	
5	1000401007	505616510002	Linking plate	2	
6	0000027002	910700500002	Bearing GB296-3205A-2RS	2	
7	0000026002	910401400016	Circlip GB893.1-52	2	
8	1000401006	505616510001	Wheel frame welding	2	
9	1000400005	505616510000	Side roller assembly $\Phi 100 \times 40$ (PU)	2	
10	1000423004	941100200002	Bolt M12x100-8.8	2	
11	0000024006	910300500006	Nut GB889.1-M12-10	2	
12	1000431001	940400500007	Spring $\Phi 43 \times \Phi 9 \times 62$	2	
13	1000419001	505616520000	PU spring	2	
14	1000413002	940500100002	Bushing $\Phi 12 \times \Phi 15 \times 15$ -SF-1	4	
15	1000401008	505616510003	Rotate arm	2	
16	0000023035	910100100038	Bolt GB5782-M10x80-8.8	2	
17	1000404023	505616520011	Dust cover $\Phi 64 \times \Phi 10 \times 10$	4	
18	1000425003	505616520012	Circlip $\Phi 25 \times \Phi 20.5 \times 6.5$	4	
19	1000402005	505616520013	Sleeve $\Phi 20 \times \Phi 10 \times 53$	2	
20	0000027001	910700200019	Bearing GB276-6204-2RS	4	
21	1000403008	940300300018	Roller $\Phi 100 \times 40$ (steel core PU)	2	
22	1000426001	505616520007	Circlip $\Phi 32 \times \Phi 7 \times 5$	2	
23	1000523002	941100300001	Screw M6x14-8.8	2	
24	0000028004	910600100004	Cylindrical pin GB119.2-4x14	2	
25	1000404031	505616520014	Adjusting washer $t=0.5 \sim 2.5$	2	
26	9000008903	503598510003	Wheel set components	2	
27	9000010423	505616510000	Side roller assembly $\Phi 100 \times 40$ (PU)	2	

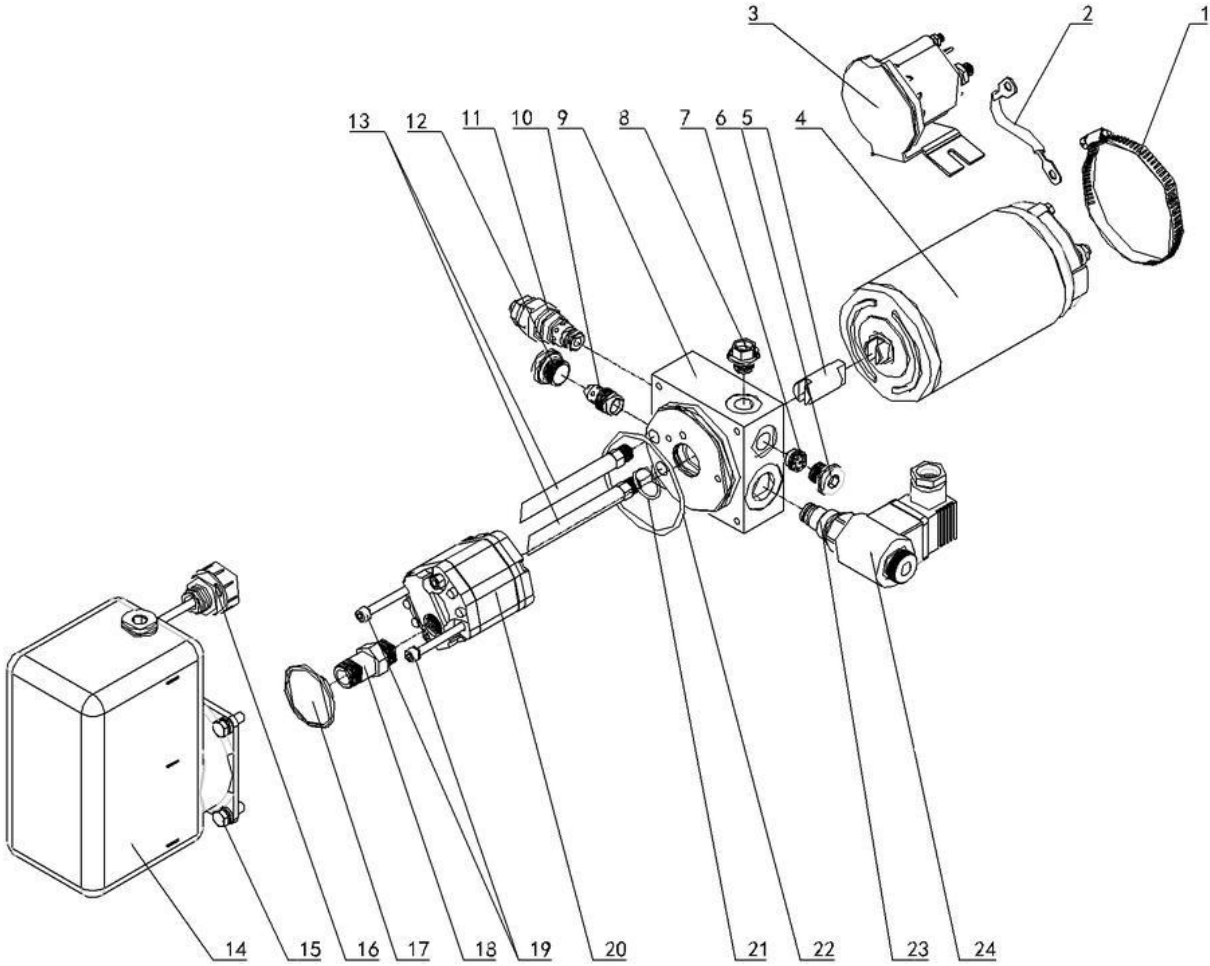
**Fig. 10 Hydraulic system**



**Fig. 10 Hydraulic system**

No.	Old Art No.	New Art No.	Description	Qty.	Note
1	1020300002	950900100036	Hydraulic power unit 24V0.8KW1.0cc	1	
2	9000008068	505621520031	Mounting plate (pump)	1	
3	0000025001	910400500006	Spring washer GB93-8	2	
4	0000023067	910200200055	Screw GB70.1-M8x16-8.8	2	
5	9000007783	940400400003	Nut M10-t(3-5)	2	
6	0000023006	910400500007	Spring washer GB93-10	2	
7	0000023088	910200200076	Screw GB70.1-M10x25-8.8	2	
8	9000006021	950400300003	Joint (straight)8-G1/4-M14x1.5-24°	1	
9	9000007823	505624020003	Hydraulic hose assembly (90° )8-L400-1SC-24°	1	
10	9000007843	950400400001	Joint (straight)8-2xM14x1.5-24°	1	
11	0000023053	910200200033	Screw GB70.1-M6x12-8.8	2	
12	1020404005	505621520027	Fixing frame	1	
13	9000008221	505621520035	Cylinder base	1	EU
	9000008910	505621520037	Cylinder base	1	US
14	1020300001	505624010000	Cylinder assembly $\Phi 52x\Phi 50x210$	1	
15	0000026003	910401300011	Circlip GB894.1-20	2	
16	0000013001	940500100019	Bushing $\Phi 20x\Phi 23x20$ -SF-1	2	
17	1020407001	505638520033	Axle $\Phi 20x102$	1	

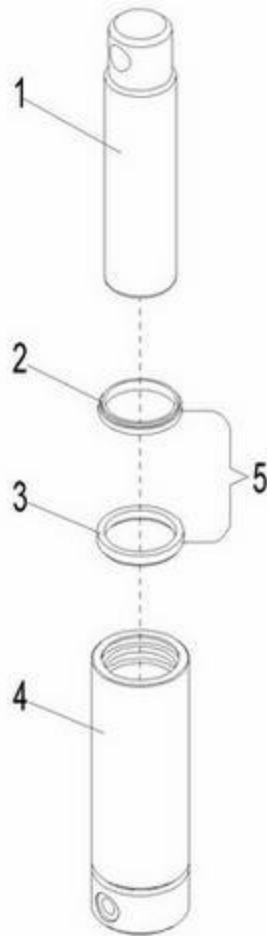
Fig. 11 Pump



**Fig. 11 Pump**

No.	Old Art No.	New Art No.	Description	Qty.	Note
1		505698520032	Clamp	1	KG03
2	9000016043	505698520033	软 Linking cable	1	RSWC-04
3	9000010208	505698520034	启动开关	1	DK0324A
4	9000016034	505698520035	straight 流 Motor	1	MD24080AN
5		505698520036	Coupling	1	DCP-035C
6	9000017726	505698520037	Plug	1	SP-02
7	9000011653	505698520038	Internal check valve	1	CV-03
8	9000017733	505698520039	Plug	1	PP-02
9		505698520040	Valve plate	1	B501
10	9000010886	505698520041	Pressure filling valve	1	RPCV-02-04
11	9000010888	505698520042	Over flow valve	1	RV-01
12	9000017725	505698520043	Plug	1	SP-09
13		505698520044	Oil return hose	2	RU10-100
14		505698520045	Oil tank	1	1L-TP108-15B-HK1
15		505698520046	Screw	4	M5*16
16		505698520047	Oil tank	1	FC-03N
17	9000016042	505698520048	Filter	1	FS-03A
18		505698520049	Oil suction hose	1	FP-03V-040
19		505698520050	Screw	2	M5*70
20		505698520051	Gear pump	1	CBU-F1100
21	9000018397	505698520052	O ring	1	21.2*1.8
22		505698520053	O ring	1	67.95*2.62
23		505698520054	Valve core	1	SCV-MRK
24		505698520055	Coil	1	YC024DC

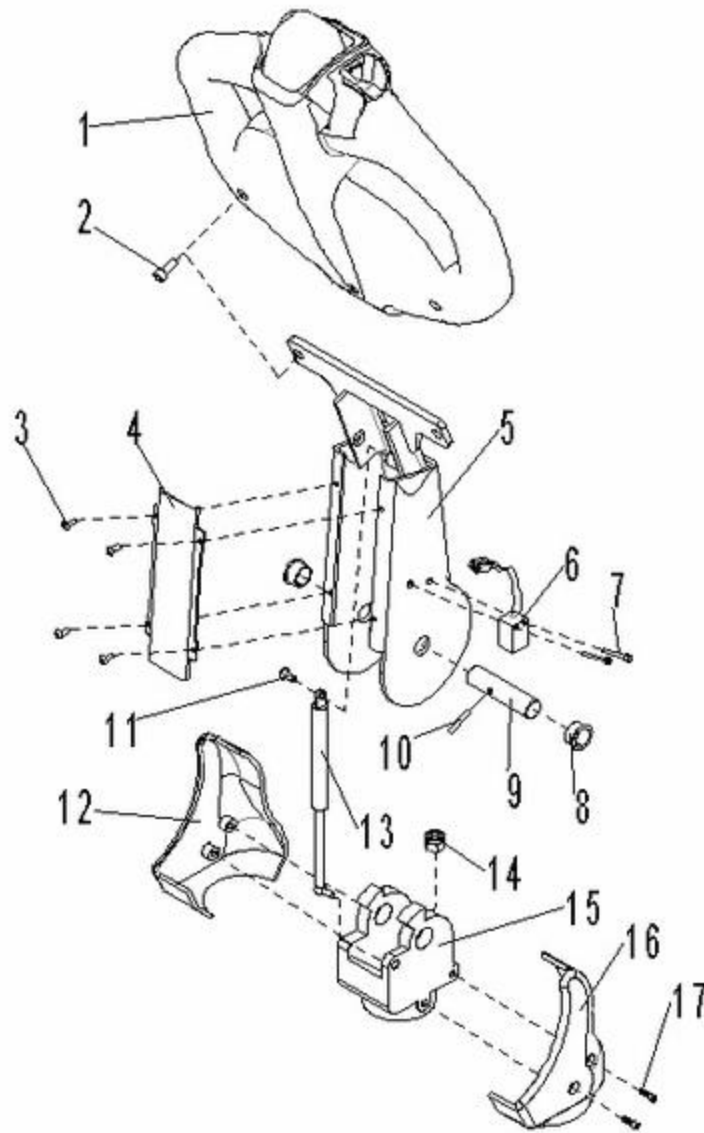
**Fig. 12 Cylinder components**



**Fig. 12 Hydraulic components**

No.	Old Art No.	New Art No.	Description	Qty.	Note
1	1020300003	505624020002	Piston rod $\Phi$ 50x175	1	
2	0000022031	910800400001	Dust ring FC50x58x5	1	
3	0000022112	910800300004	Seal ring Y50x60x8	1	
4	1020301001	505624010001	Cylinder tube	1	
5	9000003639	505698510005	Cylinder sealing kit	1	

Fig. 13 Tiller assembly

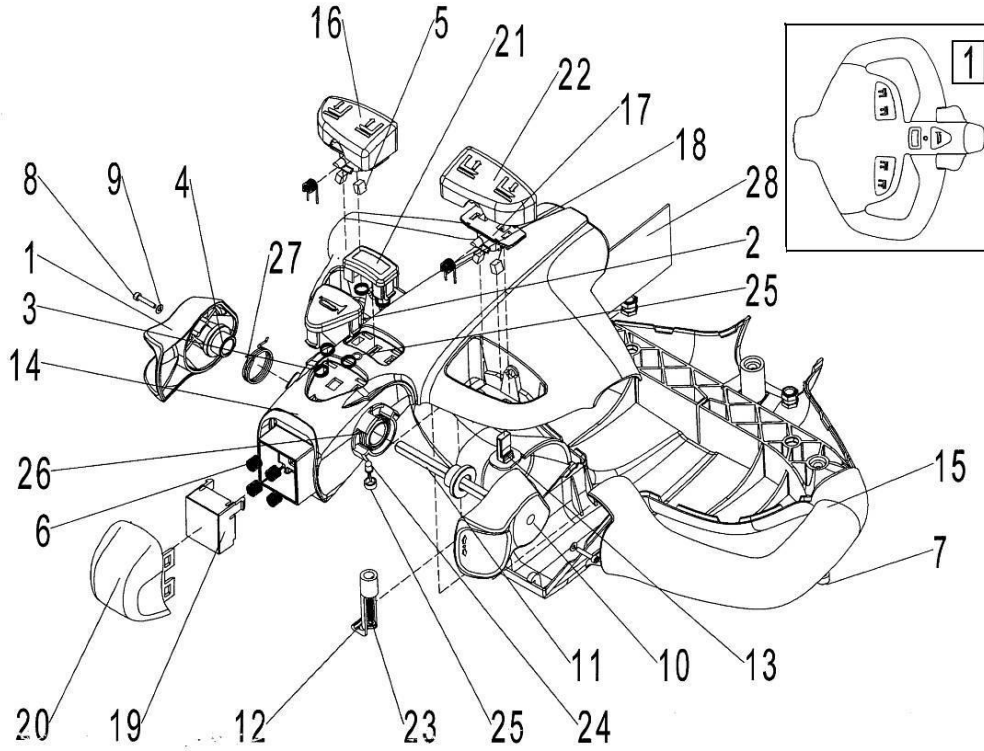




**Fig. 13 Tiller assembly**

No.	Old Art No.	New Art No.	Description	Qty.	Note
1	1100100001	922100100001	Tiller head	1	
2	0000023232	910200200058	Screw	2	
3	1000123003	910200300005	Screw GB70.2-M4x8-8.8	4	
4	9000007926	505611020013	Cap	1	
5	9000007925	505611010000	Tiller arm welding REMAcanbus	1	
6	9000002319	505633510000	Proximity switch NBN5-F7-E2(370mm)	1	
7	0000023075	910200500015	Screw GB818-M3x20-4.8	2	
8	1000113001	940500200002	Bushing (with shoulder)Φ17xΦ19x11-SF-1	2	
9	9000007928	505611020008	Rotate axle Φ17x71	1	
10	0000028003	910600400013	Elastic cylindrical pin 4x24	1	
11	1000123001	910200200057	Screw GB70.1-M8x20-8.8	1	
12	9000007930	505611020010	Protective cover 一(Tiller )	1	
13	1010121001	940400100003	Air pring 450N(D209)	1	
14	0000023005	910300500005	Nut GB889.1-M10-10	2	
15	9000007929	505611020009	Tiller base	1	
16	9000007931	505611020011	Protective cover 二(Tiller )	1	
17	0000023519	910200300016	Screw GB70.2-M6x10-8.8	4	

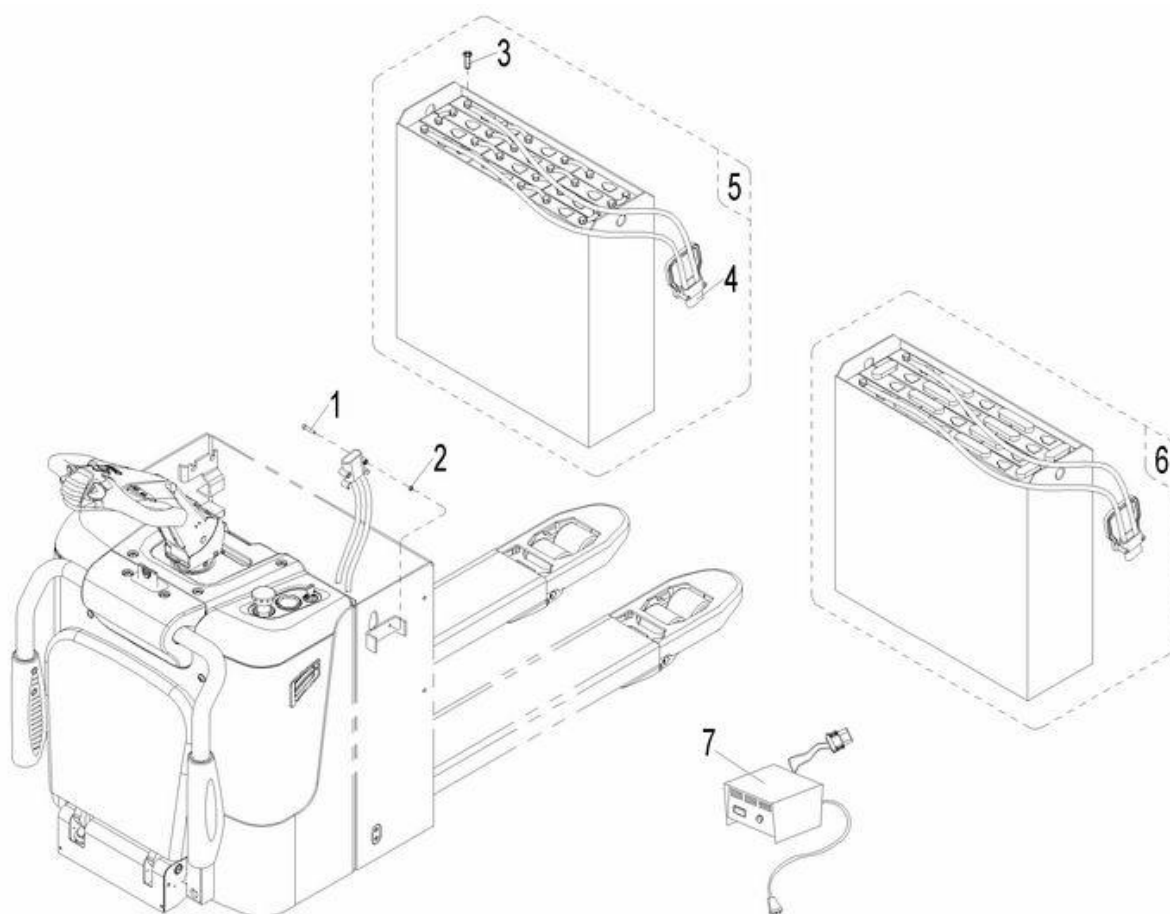
Fig. 14 Tiller components



**Fig. 14 Tiller components**

No.	Old Art No.	New Art No.	Description	Qty.	Note
1	1010114001	505698520001	Left driving knob	1	
2	1000114015	505698520002	Horn	1	
3	1000131009	505698520003	Horn spring	5	
4	1000113004	505698520004	Sleeve	2	
5	1000137001	505698520005	Magnet	4	
6	1000131010	505698520006	Spring	4	
7	0000023058	505698520007	Screw	3	M6X10
8	0000023057	505698520008	Screw	2	M3X16
9	0000025017	505698520009	Washer	2	3
10	1010114003	505698520010	Right driving knob	1	
11	1000107002	505698520011	Axle	1	
12	1000137002	505698520012	PCB clamp	1	
13	1000134005	505698520013	Sensor	2	
14	1000103012	505698520014	Tiller upper part	1	
15	1000103013	505698520015	Tiller bottom part	1	
16	1000114017	505698520016	Left button	1	
17	1000137003	505698520017	Magnet fixing base	2	
18	1000131011	505698520018	Torsional spring	2	
19	1000114018	505698520019	Button base	1	
20	1000114020	505698520020	Button cap	1	
21	1000114021	505698520021	Outer cap	1	
22	1000114022	505698520022	Right button	1	
23	0000023060	505698520023	Screw	1	ST4.2X25
24	1000134006	505698520024	LED bi-color light	1	
25	1000103014	505698520025	LED bi-color light base	1	
26	1000131012	505698520026	Torsional spring	1	
27	1000131013	505698520027	Torsional spring	1	
28	1100135001	505698520028	PCB	1	

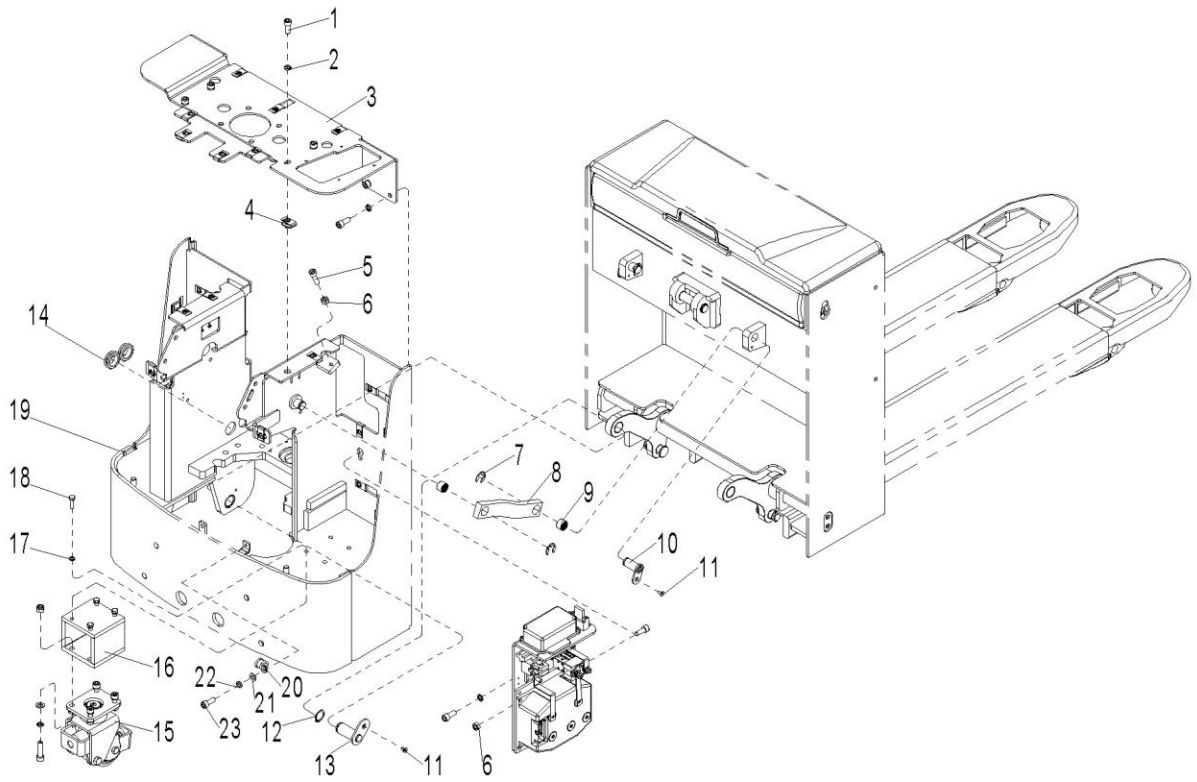
**Fig. 15 Battery components**



**Fig. 15 Battery components**

No.	Old Art No.	New Art No.	Description	Qty.	Note
1	0000023090	910200200040	Screw GB70.1-M6x35-8.8	2	
2	0000024068	910300100005	Nut GB6170-M6-10	2	
3	9000009832	505698520000	Screw M10X22	24	
4	9000008585	505698510001	Connector components	1	
5	9000003990	505637010000	Battery 24V-2PZS210(screw)	1	
6	9000009083	505637010001	Battery 24V-2PZS210(weld)	1	
7	9000010116	921000200001	Charger SN24V30A(Asia Chinese)	1	
	9000010117	921000200002	Charger SN24V30A(Asia English)	1	
	9000010118	921000200003	Charger SN24V30A(EU)	1	
	9000010120	921000200004	Charger SN24V30A(AUS)	1	
	9000010121	921000200005	Charger SN24V30A(ENG)	1	
	9000010146	921000200006	Charger SN24V30A(US )	1	

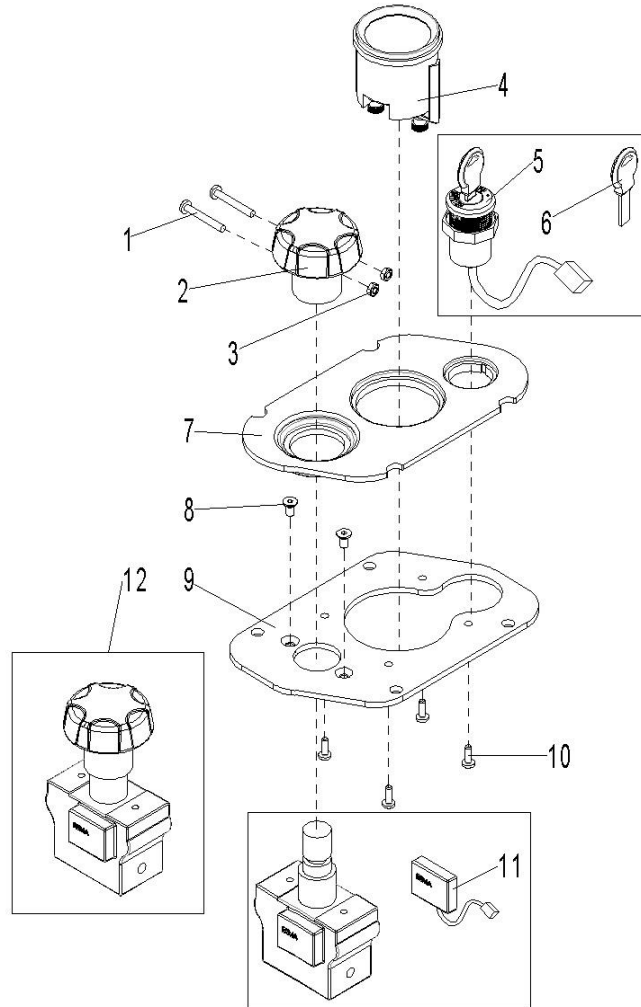
Fig. 16 Electrical components



**Fig. 16 Electrical components**

No.	Old Art No.	New Art No.	Description	Qty.	Note
1	0000023088	910200200076	Screw GB70.1-M10x25-8.8	13	
2	0000023006	910400500007	Spring washer GB93-10	25	
3	9000008066	505621520029	Top plate	1	
4	9000007783	940400400003	Nut M10-t(3-5)	10	
5	0000023025	910200200079	Screw GB70.1-M10x40-8.8	4	
6	0000024013	910300100007	Nut GB6170-M10-10	5	
7	0000026001	910401700005	Circlip GB896-15	2	
8	9000008060	505621520020	Linking rod	2	
9	1000413001	940500100017	Bushing $\Phi 20 \times \Phi 23 \times 15$ -SF-1	4	
10	9000008051	505638510004	Axle with plate $\Phi 20 \times 42$	2	
11	0000023091	910200400016	Screw GB70.3-M6x12-8.8	4	
12	0000026003	910401300011	Circlip GB894.1-20	2	
13	9000008070	505621510002	Axle with plate $\Phi 25 \times 57$	2	
14	2210418003	505621520036	Sleeve	2	
15	1000400005	505616510000	Side roller assembly $\Phi 100 \times 40$ (PU)	2	
16	9000010560	505621520028	Steering wheel base	2	
17	0000025001	910400500006	Spring washer GB93-8	8	
18	0000023766	910100300023	Bolt GB5783-M8x25-8.8	8	
19	9000008059	505621510000	Chassis welding	1	
20	9000009545	951000100004	Clamp YGE rubber 26	1	
21	0000023055	910400100005	Washer GB97.1-6-200HV	1	
22	0000025010	910400500005	Spring washer GB93-6	1	
23	0000023053	910200200033	Screw GB70.1-M6x12-8.8	1	

Fig. 17 Indicator components

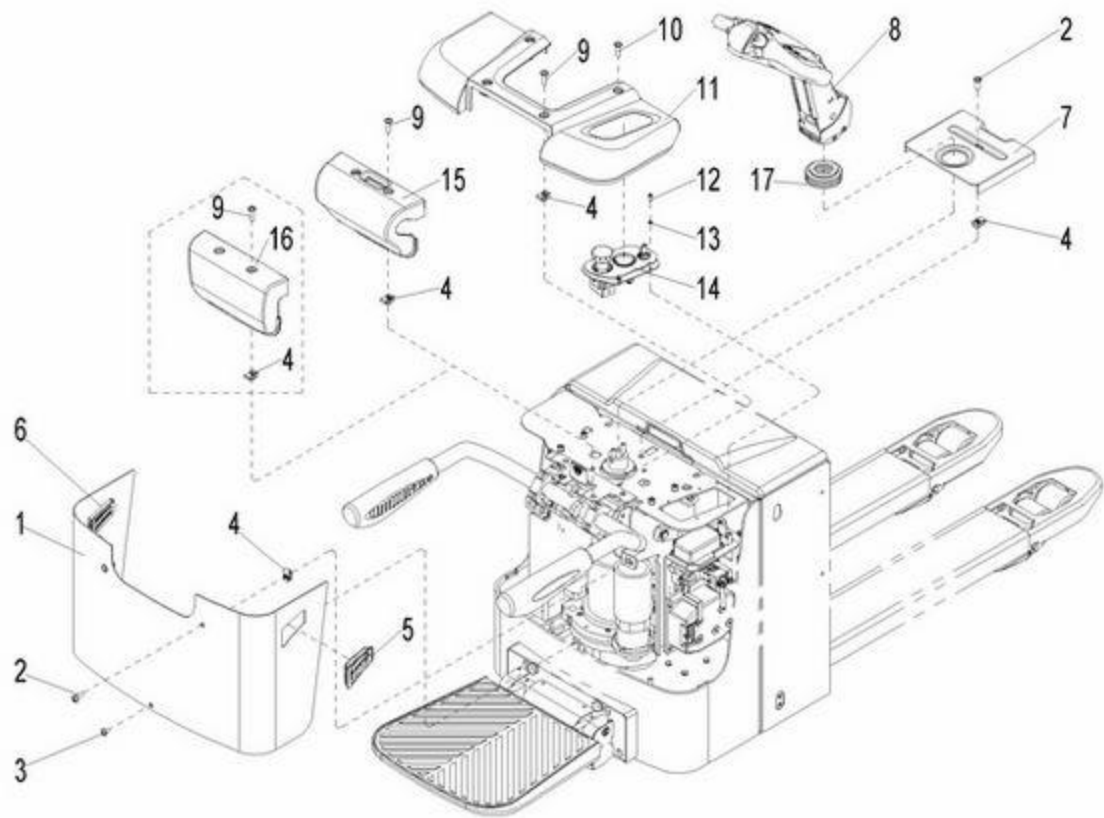


**Fig. 17 Indicator components**

No.	Old Art No.	New Art No.	Description	Qty.	Note
1	0000023685	910200500016	Screw GB818-M3x25-4.8	2	
2	9000008516	505698520029	Emergency button	1	
3	0000024002	910300100002	Nut GB6170-M3-10	2	
4	1000434025	921100100001	Indicator	1	
5	9000008326	505634010000	Key switch LKS-101A	1	
6	9000008519	505698520031	Key	1	
7	9000007938	505610020000	Panel	1	
8	0000023215	910200400010	Screw GB70.3-M5x10-8.8	2	
9	9000007939	505610020001	Fixing plate (Indicator)	1	
10	0090000272	910201300001	Screw GB6560-M4x12-A	4	
11	9000008517	505698520030	Proximity switch	1	
12	9000008515	920200100001	Emergency button assembly ZDK32-350	1	



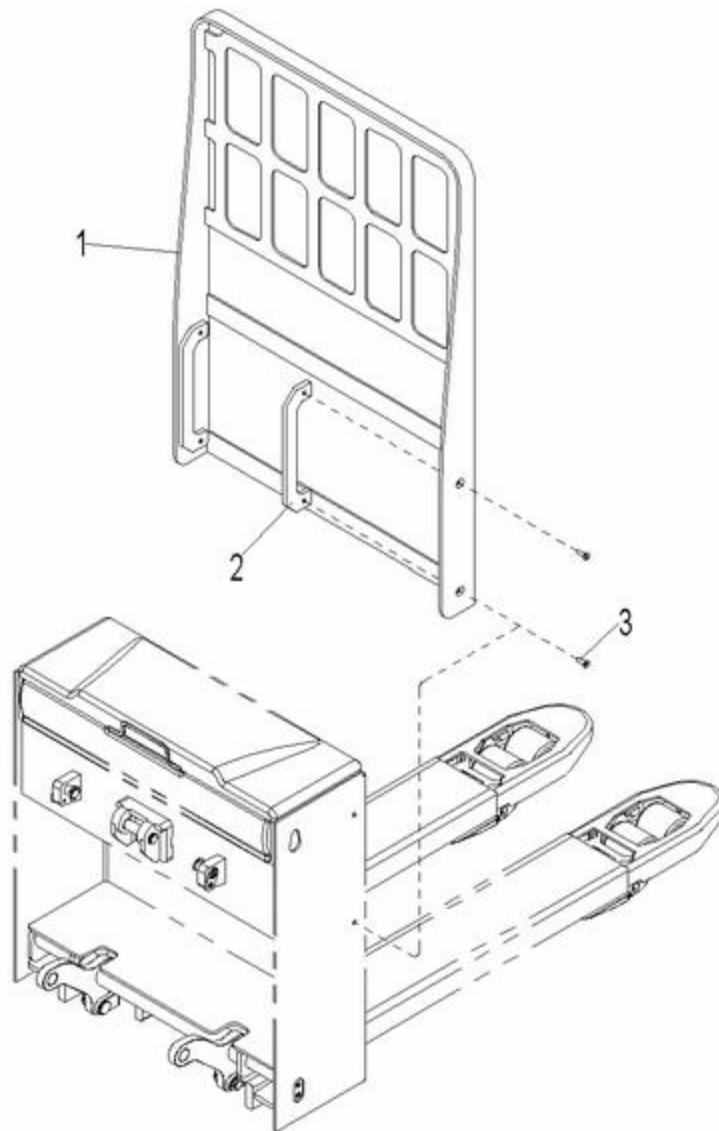
Fig. 18 Outer appearance



**Fig. 18 Outer appearance**

No.	Old Art No.	New Art No.	Description	Qty.	Note
1	9000008061	505621510001	Apron welding	1	
2	1000423003	941100100004	Screw M10x30-8.8	3	
3	2000423001	941100100005	Screw M10x15-8.8	1	
4	9000007783	940400400003	Nut M10-t(3-5)	9	
5	9000007923	505621510004	Vent hole components 2	1	
6	9000007920	505621510003	Vent hole components 1	1	
7	9000008065	505621520026	Protective cover (middle)	1	
8	9000007924	505611001000	Tiller assembly REMAcanbus	1	
9	9000007791	941100100003	Screw M10x35-8.8	4	
10	9000007790	941100100002	Screw M10x55-8.8	2	
11	9000008062	505621520024	Protective cover (top)	1	
12	0000023053	910200200033	Screw GB70.1-M6x12-8.8	4	
13	0000025006	910400500005	Spring washer GB93-6	4	
14	9000007940	505610001000	Indicator components	1	
15	9000008063	505621520025	Protective cover (with protective arm)	1	
16	9000008064	505621520043	Protective cover (without protective arm)	1	
17	9000008143	533231220003	Dust cover $\Phi 95 \times \Phi 50 \times 32$	1	

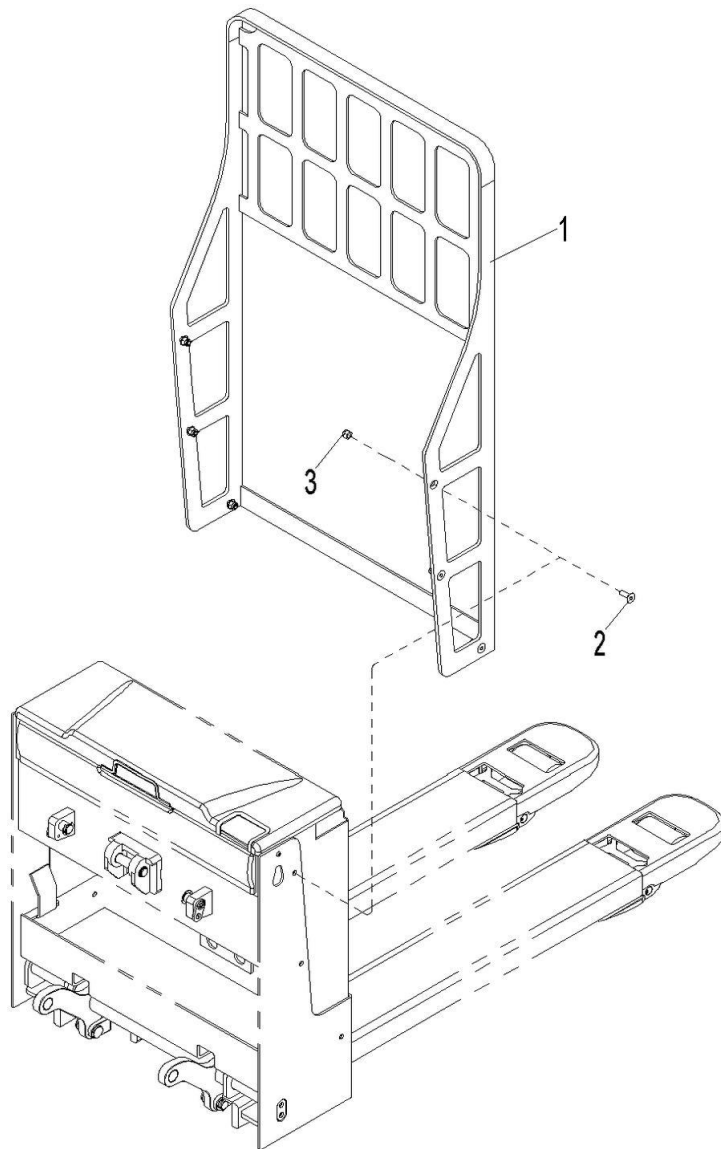
**Fig. 19 Load backrest assembly (EU)**



**Fig. 19 Load backrest assembly (EU)**

No.	Old Art No.	New Art No.	Description	Qty.	Note
1	9000008078	505640510001	Load backrest welding	1	
2	9000008514	505640520004	Mounting plate	2	
3	0000023637	910200400036	Screw GB70.3-M10x25-8.8	4	

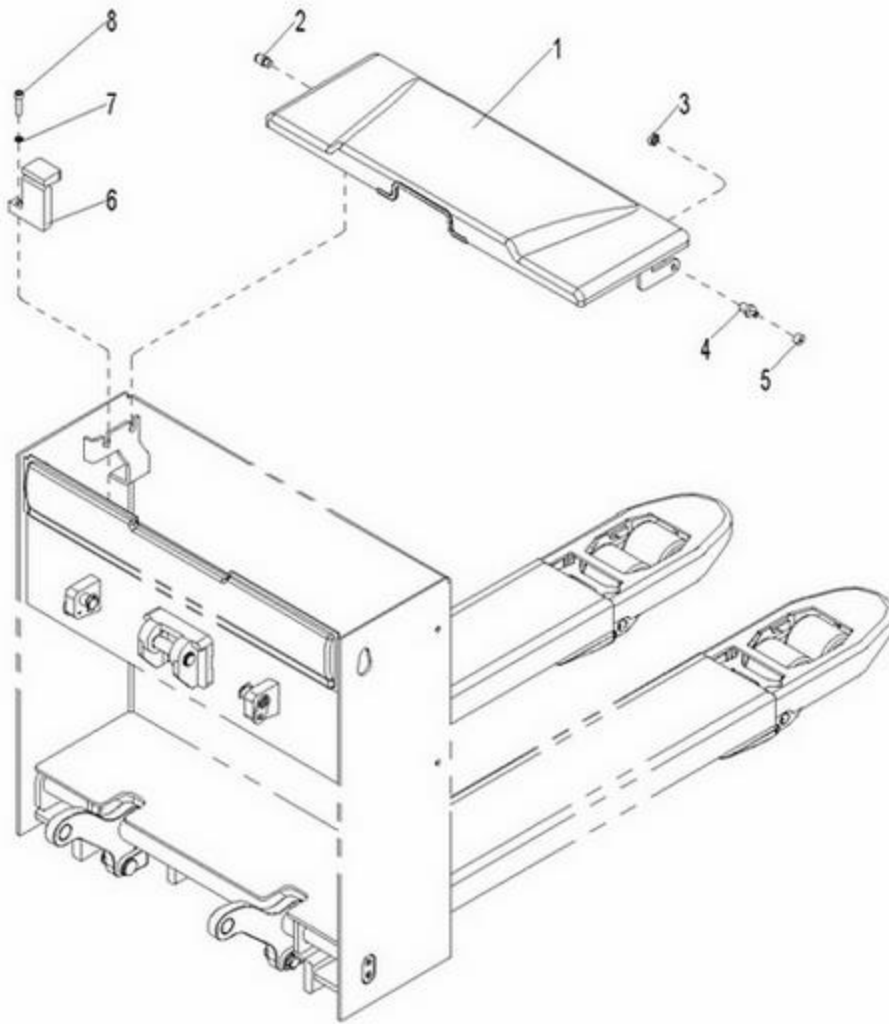
**Fig. 20 Load backrest assembly (US)**



**Fig. 20 Load backrest assembly (US)**

No.	Old Art No.	New Art No.	Description	Qty.	Note
1	9000008911	505640510003	Load backrest welding	1	
2	0090000465	910200400036	Screw GB70.3-M10x25-8.8	6	
3	0000023005	910300500005	Nut GB889.1-M10-10	6	

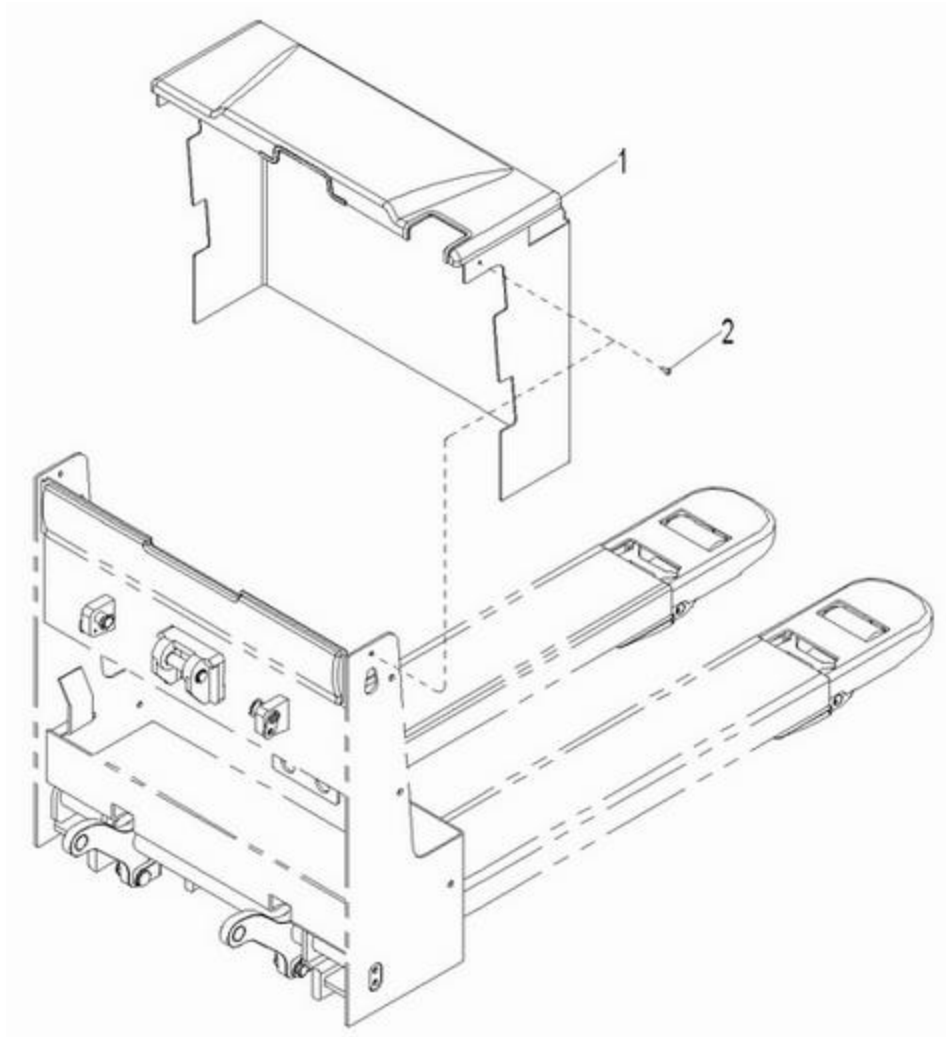
**Fig. 21 Battery cover component (EU)**



**Fig. 21 Battery cover components (EU)**

No.	Old Art No.	New Art No.	Description	Qty.	Note
1	900008046	505621010000	Battery cover welding (EU )	1	
2	900008050	505621020003	Damping part	1	
3	0000024012	910300300005	Nut GB6172.1-M10-05	2	
4	900008057	505621020005	Hinge axle $\Phi 8 \times 19$	2	
5	900008047	505621020004	Damping pad $\Phi 15 \times \Phi 6 \times 10$	2	
6	900008058	505638510005	Limit welding	1	
7	0000025001	910400500006	Spring washer GB93-8	1	
8	0000023455	910200200060	Screw GB70.1-M8x35-8.8	1	

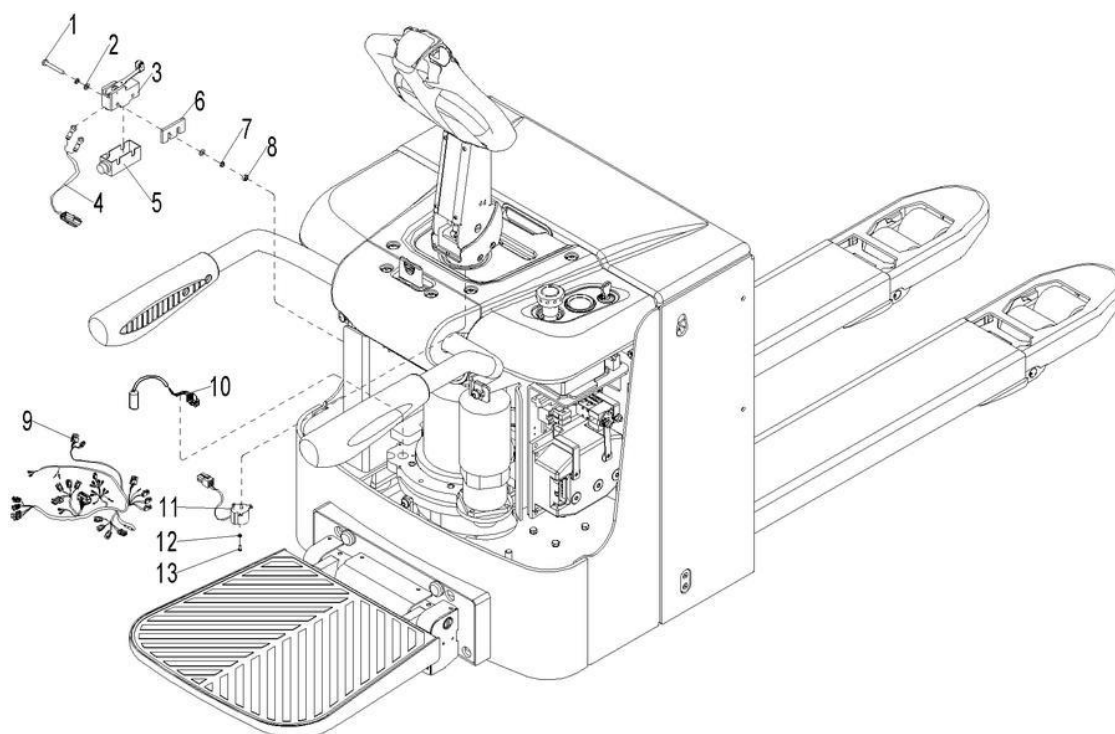
**Fig. 22 Battery cover components (US)**



**Fig. 22 Battery cover components**

No.	Old Art No.	New Art No.	Description	Qty.	Note
1	9000008912	505621010001	Battery cover welding (US)	1	
2	0000023519	910200300016	Screw GB70.2-M6x10-8.8	2	

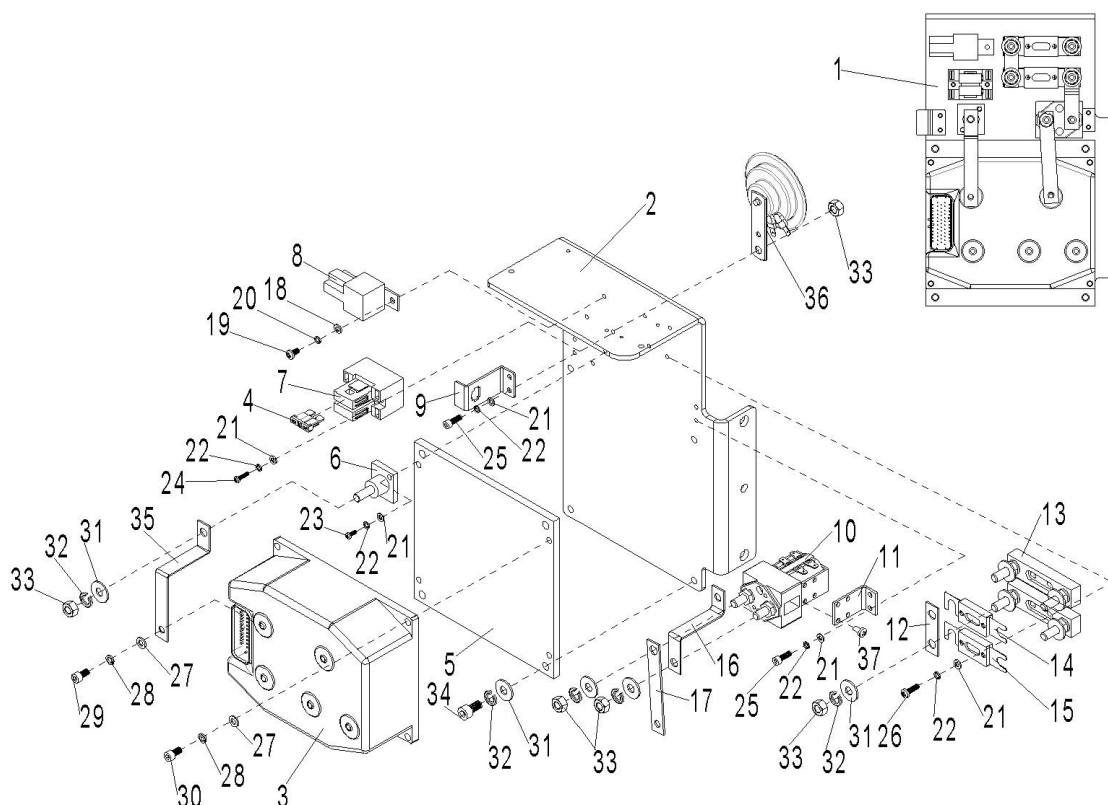
**Fig. 23 Electrical parts**



**Fig. 23 Electrical parts**

No.	Old Art No.	New Art No.	Description	Qty.	Note
1	0000023631	910200500028	Screw GB818-M4x30-4.8	2	
2	0000025019	910400100003	Washer GB97.1-4-200HV	4	
3	9000000794	920200300003	Micro switch RZ-15GW2S-B3	1	
4	9000008367	505633010001	Limit control wiring harness (260mm)	1	
5	2040603002	920200300008	Micro switch Protective cover RZ	1	
6	9000008067	505621520030	Washer	1	
7	0000025018	910400500003	Spring washer GB93-4	4	
8	0000023069	910300500001	Nut GB889.1-M4-10	2	
9	9000018265	505633010013	Main control wiring harness (1232E-2121+EPS1220)	1	
	9000008366	505633010000	Main control wiring harness (1232E-2121+ manual)	1	
10	9000017964	920200400002	Proximity switch Fi4-G12-OP6L	1	
11	9000000239	921800100002	Sensor BD-MS	1	
12	0000025026	910400100002	Washer GB97.1-3-200HV	3	
13	0000023216	910200500010	Screw GB818-M3x8-4.8	3	

**Fig. 24 Electrical control components (manual steering)**



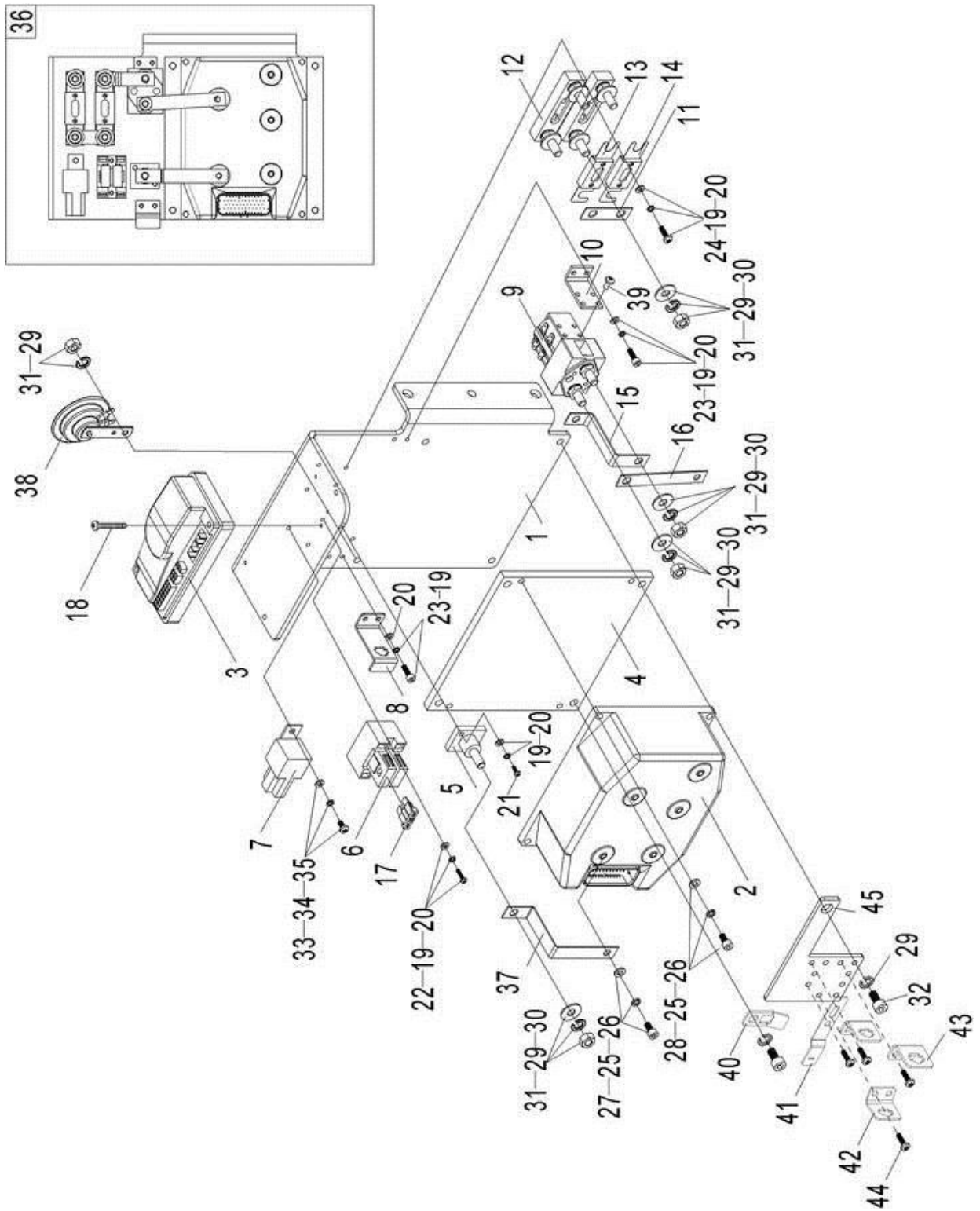
**Fig. 24 Electrical control components (manual steering)**

No.	Old Art No.	New Art No.	Description	Qty.	Note
1	9000008375	505633010006	Electrical control components (1232E-2121)	1	
2	9000008069	505621520034	Mounting plate (Electrical control)	1	
3	9000000235	921400100006	Controller 1232E-2121	1	
4	1000434040	920100200002	Fuse 10A	1	
5	9000008376	505633020004	Aluminium plate (CURTIS1232E-2121)	1	
6	1020434002	920100400001	Fuse seat M8	1	
7	9000008586	920100400005	Fuse seat BD-2x10A-1	1	
8	1000434041	920800100001	Relay DC24V-ACR01F-F-1C	1	
9	9000007679	921300300001	Fixing frame	1	
10	1000434006	920700100004	Contactor DC24V-C100-120	1	
11	9000008598	921300400001	Main contactor fixing part (100)	1	
12	1020434003	505633020003	Copper bar	1	
13	1000434007	920100400002	Fuse seat SYY	2	
14	1010434005	920100100004	Fuse 80A (Plastic)	1	



15	2210434004	920100100007	Fuse 150A (Plastic)	1	
16	9000008374	505633020002	Copper bar	1	
17	9000008373	505633020001	Copper bar	1	
18	0000025014	910400100004	Washer GB97.1-5-200HV	1	
19	0000023516	910200500037	Screw GB818-M5x10-4.8	1	
20	0000025015	910400500004	Spring washer GB93-5	1	
21	0000025018	910400500003	Spring washer GB93-4	12	
22	0000025019	910400100003	Washer GB97.1-4-200HV	12	
23	0000023073	910200200013	Screw GB70.1-M4x10-8.8	2	
24	0000023019	910200500028	Screw GB818-M4x30-4.8	2	
25	0000023307	910200500021	Screw GB818-M4x10-4.8	4	
26	0000023211	910200500024	Screw GB818-M4x16-4.8	4	
27	0000025010	910400500005	Spring washer GB93-6	9	
28	0000023055	910400100005	Washer GB97.1-6-200HV	9	
29	0000023478	910200200033	Screw GB70.1-M6x12-8.8	5	
30	0000023923	910200200036	Screw GB70.1-M6x20-8.8	4	
31	0000025001	910400500006	Spring washer GB93-8	12	
32	0000025011	910400100006	Washer GB97.1-8-200HV	11	
33	0000024086	910300500004	Nut GB889.1-M8-10	12	
34	0000023067	910200200055	Screw GB70.1-M8x16-8.8	4	
35	9000008372	505633020000	Copper bar	1	
36	1000434015	920500100001	Horn 125-DC24V	1	
37	0000023727	910200500020	Screw GB818-M4x6-4.8	2	

Fig. 25 Electrical control components (electric steering)

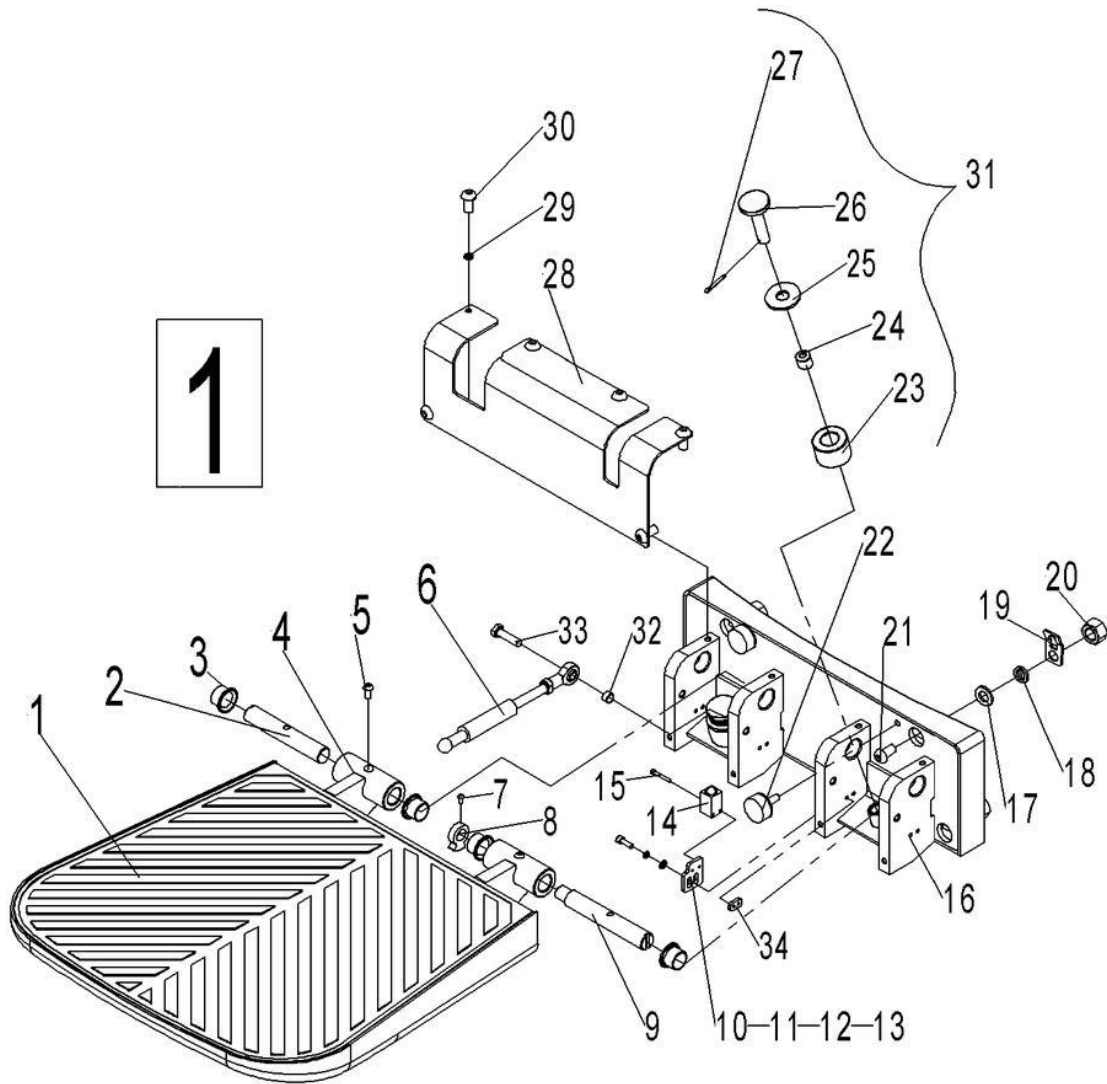


**Fig. 25 Electrical control components (electric steering)**

No.	Old Art No.	New Art No.	Description	Qty.	Note
1	9000008069	505621520034	Mounting plate (Electrical control )	1	
2	9000000235	921400100006	Controller 1232E-2121	1	
3	9000016565	921400100003	Controller 1220-2201	1	
4	9000008376	505633020004	Aluminium plate (CURTIS1232E-2121)	1	
5	1020434002	920100400001	Fuse seat M8	1	
6	9000008586	920100400005	Fuse seat BD-2x10A-1	1	
7	1000434041	920800100001	Relay DC24V-ACR01F-F-1C	1	
8	9000007679	921300300001	Fixing frame	1	
9	1000434006	920700100004	Contactor DC24V-C100-120	1	
10	9000008598	921300400001	Main contactor fixing part (100)	1	
11	1020434003	505633020003	Copper bar	1	
12	1000434007	920100400002	Fuse seat SYY	2	
13	1010434005	920100100004	Fuse 80A (Plastic)	1	
14	2210434004	920100100007	Fuse 150A (Plastic)	1	
15	9000008374	505633020002	Copper bar	1	
16	9000008373	505633020001	Copper bar	1	
17	1000434040	920100200002	Fuse 10A	1	
18	0090000082	910200200018	Screw GB70.1-M4x30-8.8	2	
19	0000025018	910400500003	Spring washer GB93-4	12	
20	0000025019	910400100003	Washer GB97.1-4-200HV	12	
21	0000023073	910200200013	Screw GB70.1-M4x10-8.8	2	
22	0000023019	910200500028	Screw GB818-M4x30-4.8	2	
23	0000023307	910200500021	Screw GB818-M4x10-4.8	4	
24	0000023211	910200500024	Screw GB818-M4x16-4.8	4	
25	0000025010	910400500005	Spring washer GB93-6	9	
26	0000023055	910400100005	Washer GB97.1-6-200HV	9	
27	0000023478	910200200033	Screw GB70.1-M6x12-8.8	5	
28	0000023923	910200200036	Screw GB70.1-M6x20-8.8	4	
29	0000025001	910400500006	Spring washer GB93-8	12	
30	0000025011	910400100006	Washer GB97.1-8-200HV	11	
31	0000024086	910300500004	Nut GB889.1-M8-10	12	
32	0000023067	910200200055	Screw GB70.1-M8x16-8.8	4	
33	0000023516	910200500037	Screw GB818-M5x10-4.8	1	

34	0000025015	910400500004	Spring washer GB93-5	1	
35	0000025014	910400100004	Washer GB97.1-5-200HV	1	
36	9000008356	505633010016	Electrical control components	1	
37	9000008372	505633020000	Copper bar	1	
38	1000434015	920500100001	Horn 125-DC24V	1	
39	0000023727	910200500020	Screw GB818-M4x6-4.8	2	
40	9000009791	921300200012	Caable plate	1	
41	1000204002	921300300005	Connector 2pins base	4	
42	1010404005	921300300006	Connector Fixing frame 1	2	
43	9000008882	921300300008	Connector Fixing frame 3	2	
44	0000023307	910200500021	Screw GB818-M4x10-4.8	8	
45	9000012097	921300300007	Connector Fixing frame 2	1	

**Fig. 26 Platform assembly**

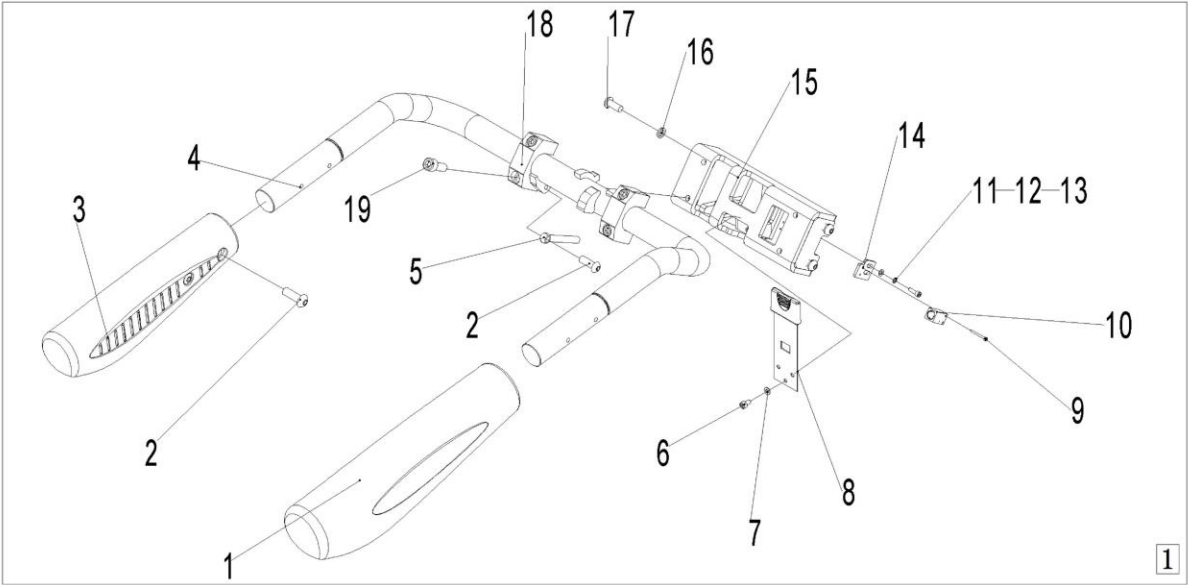


**Fig. 26 Platform assembly**

No.	Old Art No.	New Art No.	Description	Qty.	Note
1	9000007867	505618020018	Rubber pad	1	
2	9000007869	505618020020	Rotate axle $\Phi 20 \times 118$	1	

3	9000007799	940500200008	Bushing (with shoulder)Φ20xΦ23x16.5-SF-1	4	
4	9000007863	505618010000	Platform welding	1	
5	0000023555	910200300018	Screw GB70.2-M6x16-8.8	2	
6	2000421001	940400100008	Air pring 700N(D263)	1	
7	0000024014	910300400006	Nut GB6173-M16x1.5-05	1	
8	9000007873	505618020024	Cam	1	
9	9000007866	505618020017	Fixing axle Φ20x140	1	
10	0000025012	910400500004	Spring washer GB93-5	2	
11	0000023032	910400100004	Washer GB97.1-5-200HV	2	
12	0000023107	910200200023	Screw GB70.1-M5x16-8.8	2	
13	9000009799	505618020026	Mounting plate (switch)	1	
14	0000023075	910200500015	Screw GB818-M3x20-4.8	2	
15	9000008328	505633510002	Proximity switch NBN5-F7-E2(800mm)	1	
16	9000007864	505618010001	Mounting base welding	1	
17	0090000048	910400100008	Washer GB97.1-12-200HV	4	
18	0000025024	910400500008	Spring washer GB93-12	4	
19	9000007874	505618020025	Cable plate	1	
20	0000024006	910300500006	Nut GB889.1-M12-10	4	
21	0090000450	910200200100	Screw GB70.1-M12x40-8.8	4	
22	9000007865	505618020016	Damping pad	2	
23	9000007872	505618020023	Damping pad Φ40xΦ20x43	2	
24		505618020030	Spacer Φ18.8xΦ13.2x10.5	2	
25	9000007871	505618020022	Damping pad Φ40xΦ13.5x6	2	
26	9000007870	505618020021	Fixing bolt Φ13x68	2	
27	0000028033	910600600026	Split pin GB91-3.2x20	2	
28	9000007868	505618020019	Protective cover (Mounting base )	1	
29	0000025010	910400500005	Spring washer GB93-6	6	6
30	0000023045	910200300017	Screw GB70.2-M6x12-8.8	6	
31	9000008897	505698510002	Anti-vibration components	2	
32		505618020028	Spacer Φ12xΦ9x5	1	
33		910100300024	Screw GB5783-M8x30-8.8	1	
34		505618020027	Mounting plate	1	
⊥	9000007862	505618001000	Platform assembly	1	

Fig. 27 Protective arm assembly

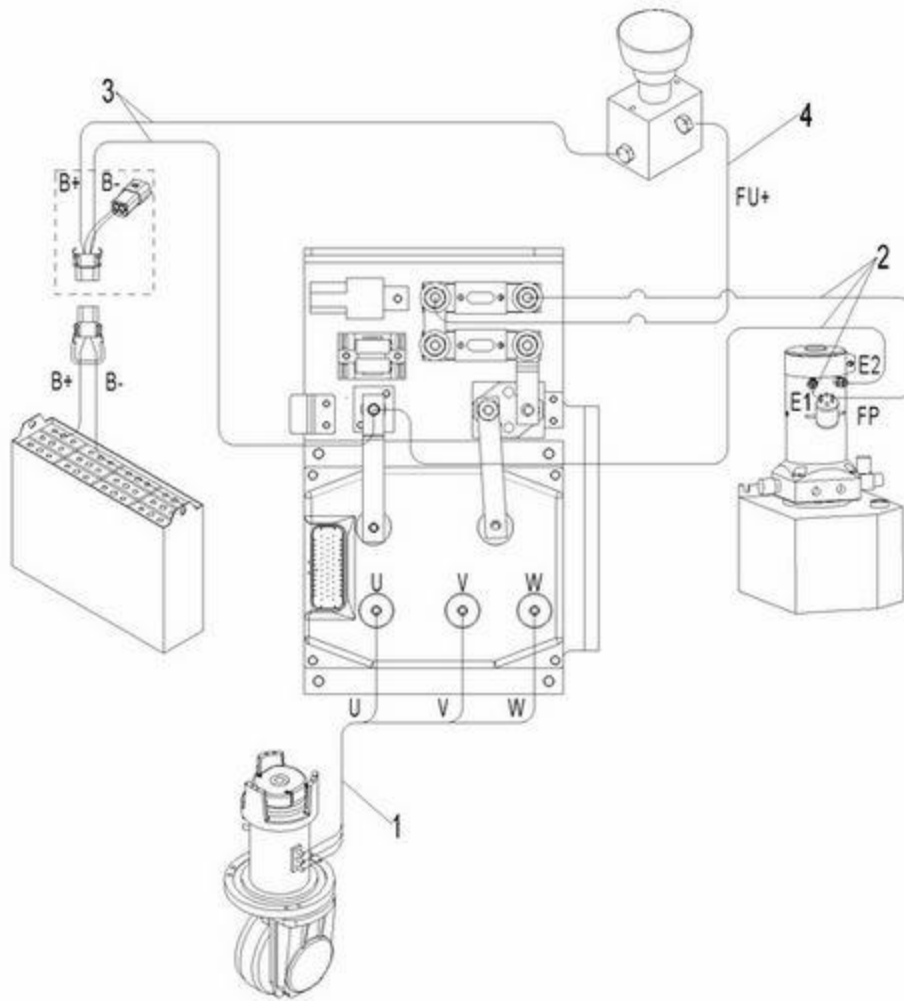


**Fig. 27 Protective arm assembly**

No.	Old Art No.	New Art No.	Description	Qty.	Note
1	9000007895	505617510002	Protective arm bushing 2	1	
2	0090000448	910200300025	Screw GB70.2-M8x20-8.8	5	
3	9000007896	505617510004	Protective arm bushing 1	1	
4	9000007894	505617510001	Protective arm welding	1	
5	9000007780	940400100006	Air pring 550N(D155)	1	
6	0000023045	910200300017	Screw GB70.2-M6x12-8.8	3	
7	0000025010	910400500005	Spring washer GB93-6	3	
8	9000007897	505617510005	Locating plate	1	
9	0000023075	910200500015	Screw GB818-M3x20-4.8	2	
10	9000008329	505633510001	Proximity switch NBN5-F7-E2(600mm)	1	
11	0000025012	910400500004	Spring washer GB93-5	2	
12	0000023032	910400100004	Washer GB97.1-5-200HV	2	
13	0000023107	910200200023	Screw GB70.1-M5x16-8.8	2	
14	9000009799	505618020026	Mounting plate (switch)	1	
15	9000007892	505617510000	Protective arm base welding	1	
16	0000023006	910400500007	Spring washer GB93-10	4	
17	0090000447	910100300036	Bolt GB5783-M10x25-8.8	4	
18	9000007893	505617520005	Block	2	
19	0000023099	910200200080	Screw GB70.1-M10x45-8.8	4	
□	9000007891	505617501000	Protective arm assembly	1	



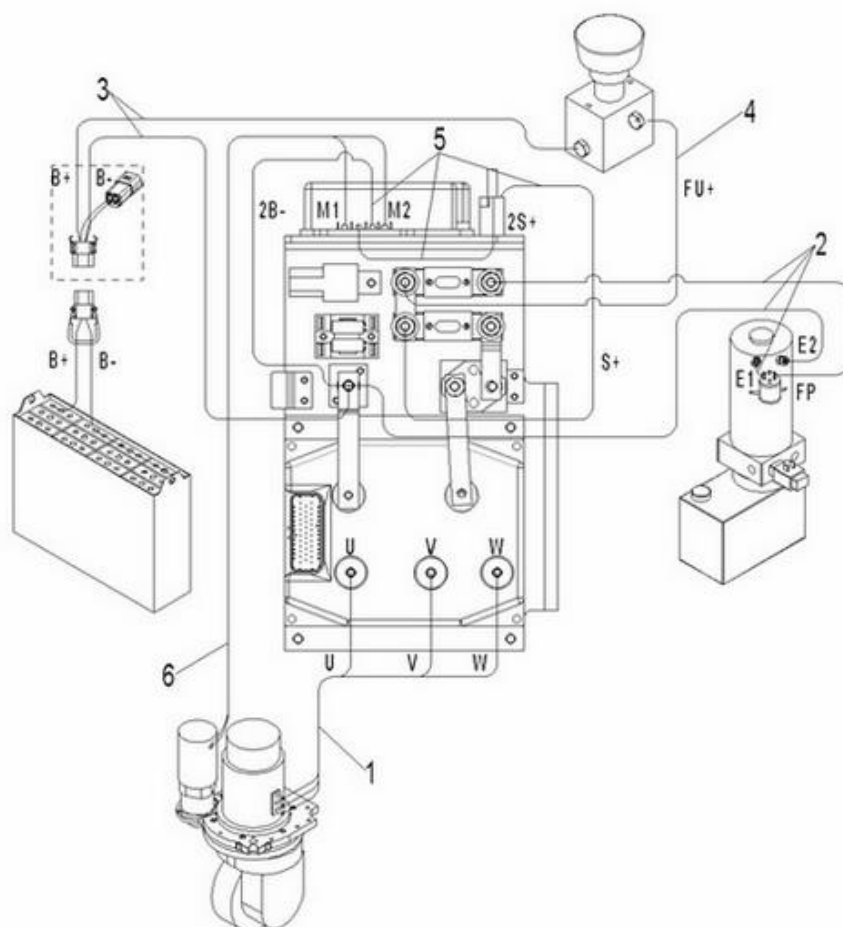
**Fig. 28 Main wiring harness (manual steering)**



**Fig. 28 Main wiring harness (manual steering)**

No.	Old Art No.	New Art No.	Description	Qty.	Note
1	9000008368	505633010002	Cable -U-16-6-8-1190	1	
		505633010017	Cable -V-16-6-8-1150	1	
		505633010018	Cable -W-16-6-8-1110	1	
2	9000008369	505633010003	Cable -FP-10-8-8-1400	1	
		505633010019	Cable -E2-10-6-8-1400	1	
3	9000008370	505633010004	Main power supply wiring harness (1232E-2121+ manual)	1	
4	9000008371	505633010005	Cable -FU+-25-8-8-550	1	

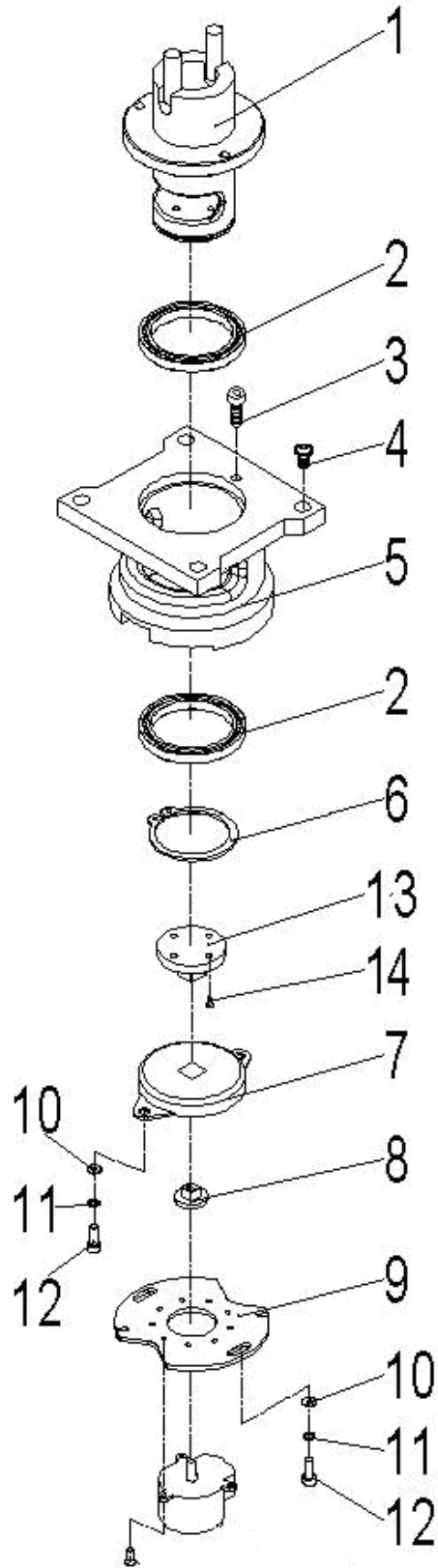
**Fig. 29 Main wiring harness (electric steering)**



**Fig. 29 Main wiring harness (electric steering)**

No.	Old Art No.	New Art No.	Description	Qty.	Note
1	9000008444	505633010008	Cable -U-16-6-8-900	1	
		505633010020	Cable -V-16-6-8-850	1	
		505633010021	Cable -W-16-6-8-800	1	
2	9000008445	505633010009	Cable -FP-10-8-8-1350	1	
		505633010022	Cable -E2-10-6-8-1350	1	
3	9000008370	505633010004	Main power supply wiring harness (1232E-2121+ manual)	1	
4	9000008371	505633010005	Cable -FU+-25-8-8-550	1	
5		505633010014	Steeringn controller wiring harness (1232E-2121+EPS1220)	1	
		505633010026	Linking cable -2B--4-6.3-8-450	1	
6		505633010015	Linking cable -M1-4-6-6.3-1050	1	
		505633010027	Linking cable -M2-4-6-6.3-1050	1	

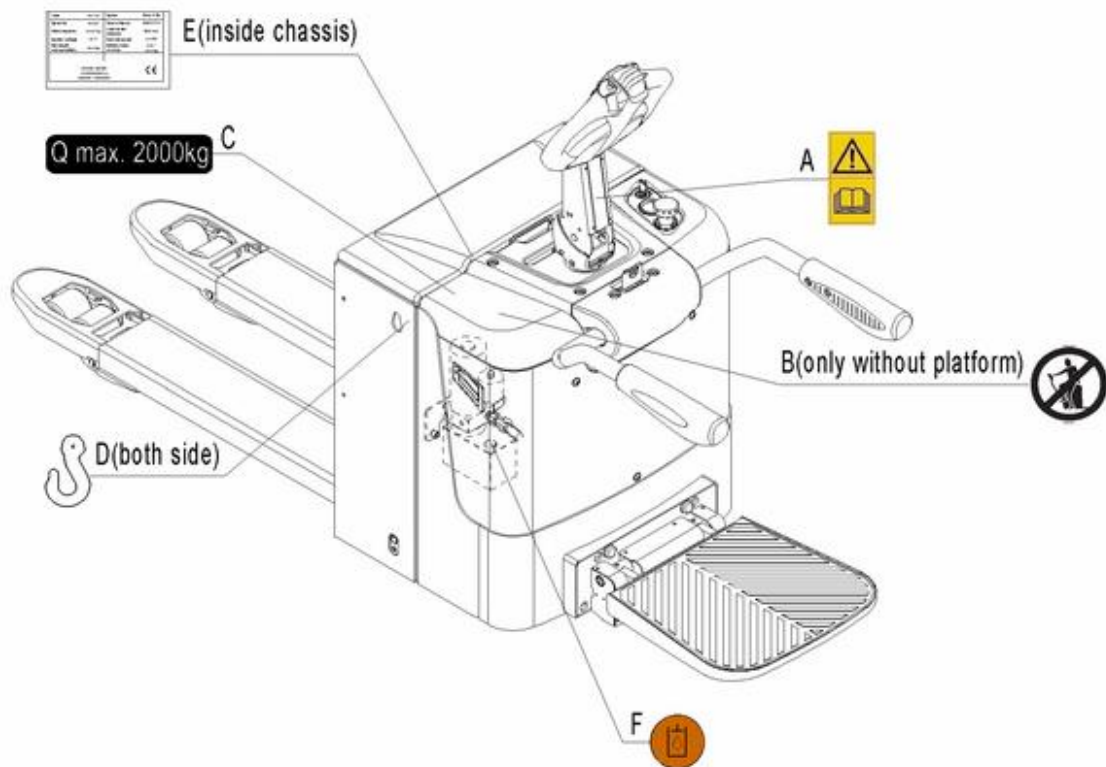
Fig. 30 Electric steering components



**Fig. 30 Electric steering components**

No.	Old Art No.	New Art No.	Description	Qty.	Note
1	9000007422	505631510001	Axle base welding	1	
2	9000000240	910700200041	Bearing GB276-61810-2RS	2	
3	0000023042	910200200032	Screw GB70.1-M6x10-8.8	3	
4	0000023034	910200200075	Screw GB70.1-M10x20-8.8	4	
5	9000007423	505631520002	Fixing base	1	
6	0000026043	910401300024	Circlip GB894.1-50	1	
7	9000007806	940801200001	Damper T-70A-903	1	
8	9000007421	505631520003	Linking block	1	
9	9000007693	505731520001	Potentiometer fixing plate	1	
10	0000023032	910400100004	Washer GB97.1-5-200HV	4	
11	0000025015	910400500004	Spring washer GB93-5	4	
12	0000023311	910200200022	Screw GB70.1-M5x12-8.8	4	
13	9000007424	505631520005	Linking block	1	
14	0000023073	910200500022	Screw GB818-M4x12-4.8	4	

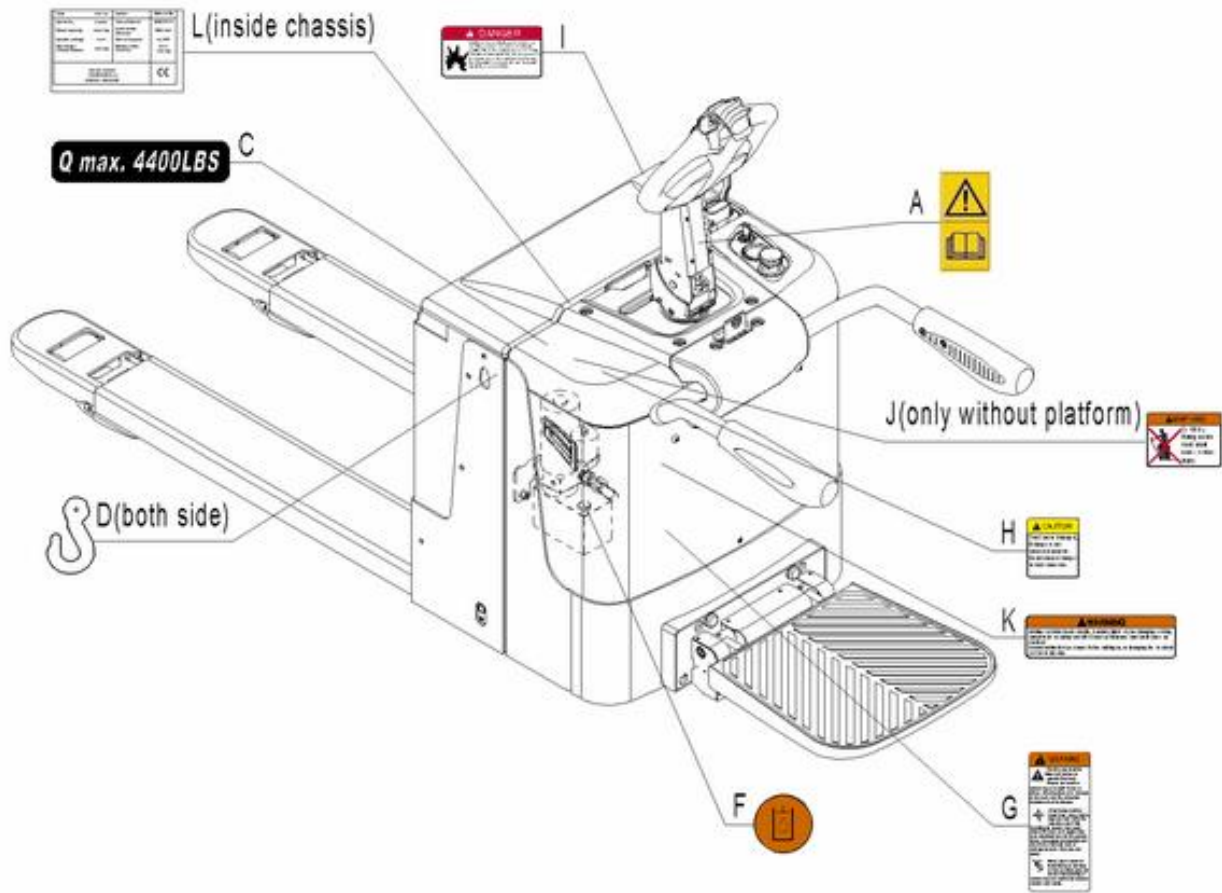
**Fig. 31 Sticker (EU)**



**Fig. 31 Sticker (EU)**

No.	Old Art No.	New Art No.	Description	Qty.	Note
A	9000003570	941200300002	Sign read and follow this instruction	1	
B	9000003573	941200100003	'No passengers' decal	1	
C	9000008345	941200200010	Sign capacity sticker (2000 kg)	1	
D	9000005967	941200300001	Hook sticker	2	
E	9000008651	505647020001	CE sticker	1	
F	9000008555	941200300003	Filling sticker	1	

**Fig. 32 Sticker (US)**



**Fig. 32 Sticker (US)**

No.	Old Art No.	New Art No.	Description	Qty.	Note
A	9000003570	941200300002	Sticker to read and follow these instructions	1	
C	9000009405	941200200038	Capacity sticker(4400 LBS)	1	
D	9000005967	941200300001	Crane hook label	2	
F	9000008555	941200300003	Filling sticker	1	
G	9000003575	941200100009	Warning sticker	1	
H	9000003576	941200100012	Warning sticker	1	
I	9000003577	941200100013	Warning sticker	1	
J	9000003580	941200100011	Warning sticker	1	
K	9000003579	941200100010	Warning sticker	1	
L	9000008928	505647020002	CE sticker	1	

### Easy worn parts list

N o.	Old Art No.	New Art No.	Description	Qty.	Fig. /Position	Note
1	000001 3024	94050010 0027	Bushing $\Phi 25 \times \Phi 28 \times 20$ -SF-1	2	Fig. 1、2/8	Chassis
2	000001 3001	94050010 0019	Bushing $\Phi 20 \times \Phi 23 \times 20$ -SF-1	2	Fig. 1、2/9	
3	000002 7006	94050010 0032	Bushing $\Phi 25 \times \Phi 29 \times 25$ -SF-1	2	Fig. 1、2/10	
4	000002 7005	94050010 0012	Bushing $\Phi 20 \times \Phi 22 \times 12$ -SF-1	4	Fig. 1、2/16	
5	900001 0419	50569851 0006	Push rod components	2	Fig. 1A/20	
		50569851 0011	Push rod components	2		
6	9000011 585	50569851 0008	Push rod components	2	Fig. 1B/20	
	9000011 586	50569851 0009	Push rod components	2		
7	900001 0420	50569851 0007	Push rod components	2	Fig. 2/20	
8	000002 7005	94050010 0012	Bushing $\Phi 20 \times \Phi 22 \times 12$ -SF-1	4	Fig. 3、4/7	
9	000002 7001	91070020 0019	Bearing GB276-6204-2RS	8/4 (double/single)	Fig. 3/10 Fig. 4/9	
10	900000 8791	94030030 0010	Roller $\Phi 84 \times 84$ (Steel core PU)	4 (double)	Fig. 3/11	
11	900000 7766	94030030 0006	Roller $\Phi 82 \times 110$ (Steel core PU)	2 (single)	Fig. 3/15 Fig. 4/10	
12	900000 2333	94050020 0003	Bushing (with shoulder) $\Phi 18 \times \Phi 20 \times 12$ -SF-1	4 (double)	Fig. 3/16	
13	900000 8913	50561700 1000	Load roller assembly $\Phi 84 \times 84$ (PU double)	2	Fig. 3/17	

1 4	900000 8914	50561700 1001	Load roller assembly $\Phi$ 82x110 (PU)	2	Fig. 3/18 Fig. 4/13		
1 5	900001 0400	50239851 0003	Entry roller kits	2	Fig. 3/19		
1 6	900001 0421	50569851 0003	Wheel set components	4	Fig. 3/20		
1 7	900001 0422	50569851 0004	Wheel set components	2	Fig. 3/21		
1 8	000002 7002	91070050 0002	Bearing GB296-3205A-2RS	2	Fig. 9/6		
1 9	100040 0005	50561651 0000	Side roller assembly $\Phi$ 100x40(PU)	2	Fig. 9/9		
2 0	100041 9001	50561652 0000	PU spring	2	Fig. 9/13		
2 1	100041 3002	94050010 0002	Bushing $\Phi$ 12x $\Phi$ 15x15-SF-1	4	Fig. 9/14	Steering wheel	
2 2	000002 7001	91070020 0019	Bearing GB276-6204-2RS	4	Fig. 9/20		
2 3	100040 3008	94030030 0018	Roller $\Phi$ 100x40(steel core PU)	2	Fig. 9/21		
2 4	900000 8903	50359851 0003	Wheel set components	2	Fig. 9/26		
2 5	900001 0423	50561651 0000	Side roller assembly $\Phi$ 100x40(PU)	2	Fig. 9/27		
2 6	000001 3001	94050010 0019	Bushing $\Phi$ 20x $\Phi$ 23x20-SF-1	2	Fig. 10/16		Hydraulic
2 7	000002 2031	91080040 0001	Dust ring FC50x58x5	1	Fig. 12/2		Cylinder
2 8	000002 2112	91080030 0004	Seal ring Y50x60x8	1	Fig. 12/3		
2 9	900000 3639	50569851 0005	Cylinder sealing kits	1	Fig. 12/5		
3 0	1000113 001	94050020 0002	Bushing (with shoulder) $\Phi$ 17x $\Phi$ 19x11-SF-1	2	Fig. 13/8	Tiller	



3 1	101012 1001	94040010 0003	Air pring 450N(D209)	1	Fig. 13/13	
3 2	100041 3001	94050010 0017	Bushing $\Phi 20 \times \Phi 23 \times 15$ -SF-1	4	Fig. 16/9	Electrical
3 3	100043 4040	92010020 0002	Fuse 10A	1	Fig. 24/4	Electrical control
3 4	101043 4005	92010010 0004	Fuse 80A(Plastic)	1	Fig. 24/14	
3 5	221043 4004	92010010 0007	Fuse 150A(Plastic)	1	Fig. 24/15	
3 6	101043 4005	92010010 0004	Fuse 80A(Plastic)	1	Fig. 25/13	
3 7	221043 4004	92010010 0007	Fuse 150A(Plastic)	1	Fig. 25/14	
3 8	100043 4040	92010020 0002	Fuse 10A	1	Fig. 25/17	
3 9	900000 7799	94050020 0008	Bushing (with shoulder) $\Phi 20 \times \Phi 23 \times 16.5$ -SF-1	4	Fig. 26/3	Platform
4 0	200042 1001	94040010 0008	Air pring 700N(D263)	1	Fig. 26/6	
4 1	900000 7780	94040010 0006	Air pring 550N(D155)	1	Fig. 27/5	Protective arm